

Technical product overview 2024



Content

Treatment lights

• TRIANGO 130 C Duo	3
• TRIANGO 130 C	4
• TRIANGO 130 W	5
• TRIANGO 130 F	6
• TRIANGO 100 C Duo	7
• TRIANGO 100 C	8
• TRIANGO 100 W	9
• TRIANGO 100 F	10
• TRIANGO 100 F Battery	11
• TRIANGO 80-1 C	12
• TRIANGO 80-1 W	13
• TRIANGO 80-1 F	14
• TRIANGO 80-1 F Battery	15
• TRIANGO 60-1 C	16
• TRIANGO 60-1 W	17
• TRIANGO 60-1 F	18
• TRIANGO 60-1 F Battery	19

Examination lights

• VISIANO 20-2 C T1	20
• VISIANO 20-2 P TX	21
• VISIANO 10-1 P S10	22
• HALUX N50-3 P FX	23
• HALUX N50-1 P FX	24
• HALUX N50-3 P SX	25
• HALUX N50-1 P SX	26
• HALUX N30-1 P F1	27
• HALUX N30-1 P SGV Gyn	28
• HALUX N30-1 P SG	29
• HALUX N30-1 P S	30
• HALUX N30-1 F	31
• HALUX N30-1 Ambulance	32

Task lights for dental laboratories

• TANE0 Lab	33
-------------	----

Magnifier luminaire

• OPTICLUX 10-2 C T1 (Wood's Light)	34
• OPTICLUX 10-1 C T1	35
• OPTICLUX 10-2 P TX (Wood's Light)	36
• OPTICLUX 10-1 P TX	37
• OPTICLUX Hand 10-2 UV (Wood's Light)	38
• OPTICLUX Hand 10-1 DL	39

Care and reading lights

• AMALIA 9 P S4	40
• AMALIA 9 P S4 clinic	41
• AMALIA 9 P S7	42
• AMALIA 9 B S8	43
• AMALIA 9 F S3 (30°)	44
• CULTA LED S 4 P S3	45
• CULTA LED S 4 B S9	46

Mounting hardware

• Standard 25 × 10 mm wall rail system	47
• Intermediate ceiling adapter, Cover plate	48
• Bedside table adapter, Extension arm	49
• Table clamp, Universal mount	49
• Rail mount, Rail mount for Gynaecology chair, Wall mount, Wall mount (Alu), Tubular mount,	50
• Rolling floor stand RL	51

Accessories

• Handle	51
• OPTICLUX Hand charging station	51
• TANE0 Lab Additional magnifying lens	52
• Decor	52

Spare lamps

• Spare lamps for Derungs lights	52
----------------------------------	----

Support arm systems

• TENO, VISO	53
100% medical engineering	54

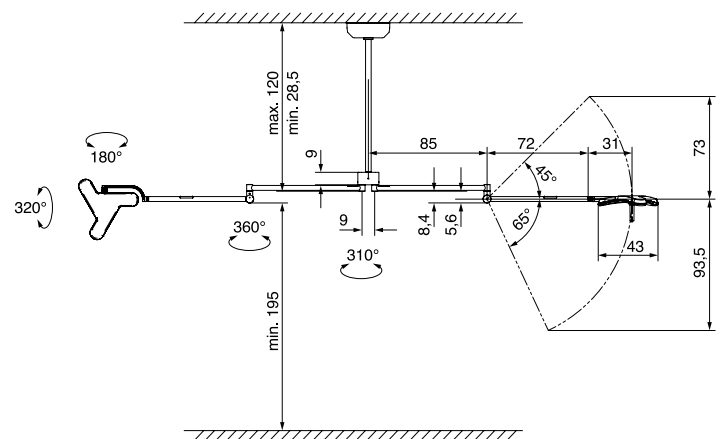
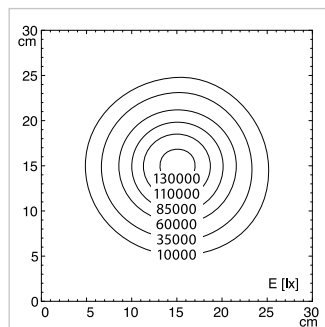
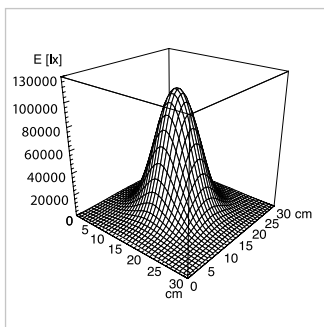


TRIANGO 130 C Duo

TECHNICAL DATA	
FITTED WITH	1 x LED module
LUMINOUS POWER	2 x 130 000 lux / 1.0 m *
COLOR RENDERING INDEX	Ra > 96
DEPTH OF ILLUMINATION	80 cm
OPERATION EQUIPMENT	Electronic converter
CORD LENGTH	Direct power supply
LUMINAIRE BODY	Polyamide (PA)
WEIGHT (NET)	30 kg (DUO total)
POWER CONSUMPTION	2 x 40 W
RATED CONNECTION VOLTAGE	100 - 240 V
FREQUENCY RANGE	50 / 60 Hz
USAGE	Touch panel on cardanic system
TECHNOLOGY	Single-pole secondary
BALANCE OF ARTICULATION JOINTS	Spring (weight compensation)
CLASS OF PROTECTION	I
PROTECTION RATING	According to IEC 60529 IP 20 luminaire head IP 43 (horizontal position)
STANDARDS MET	EN 60601-1, EN 60601-2-41
SPECIAL FEATURES	Sterilizable handle, high quality arm system, 4-step dimmable (100% / 80% / 60% / 40%) *, focusable, color changeable
MOUNTING	Ceiling mount, ceiling tube can be cut on site (length: 25-120 cm)
ACCESSORIES	Sterilizable handle, handle cover, intermediate ceiling adapter



	lighting field / 1.0 m	color temperature	dimmable	Order No.
	changeable value 16 / 20 / 25 cm	changeable value 3700 / 4300 / 4700 K*		
TRIANGO Fokus 130-3 C Duo	x	x	x	D16.248.000



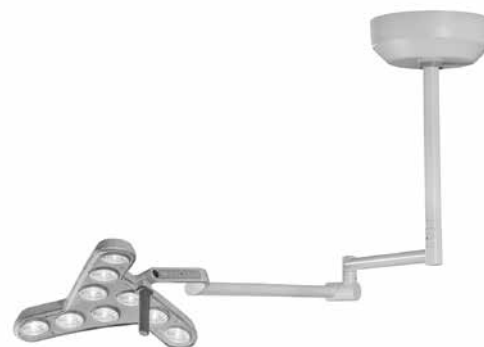
Valid for Triango 130 with fixed lighting field / per luminaire head

TRIANGO 130 C



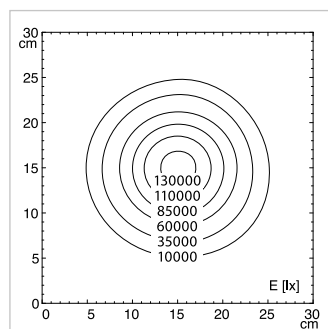
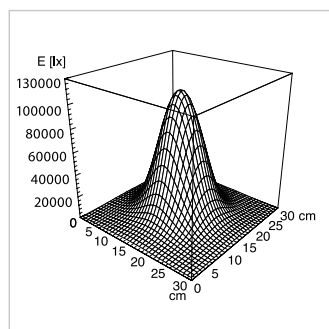
TECHNICAL DATA	
FITTED WITH	1 x LED module
LUMINOUS POWER	130 000 lux / 1.0 m *
COLOR RENDERING INDEX	Ra > 96
DEPTH OF ILLUMINATION	80 cm
OPERATION EQUIPMENT	Electronic converter
CORD LENGTH	Direct power supply
LUMINAIRE BODY	Polyamide (PA)
WEIGHT (NET)	15.9 kg
POWER CONSUMPTION	40 W
RATED CONNECTION VOLTAGE	100 - 240 V
FREQUENCY RANGE	50 / 60 Hz
USAGE	Touch panel on cardanic system
TECHNOLOGY	Single-pole secondary
BALANCE OF ARTICULATION JOINTS	Spring (weight compensation)
CLASS OF PROTECTION	I
PROTECTION RATING	According to IEC 60529 IP 20 luminaire head IP 43 (horizontal position)
STANDARDS MET	EN 60601-1, EN 60601-2-41
SPECIAL FEATURES	Sterilizable handle, high quality arm system, 4-step dimmable (100% / 80% / 60% / 40%) *, focusable, color changeable
MOUNTING	Ceiling mount, ceiling tube can be cut on site (length: 25-120 cm)
ACCESSORIES	Sterilizable handle, handle cover, intermediate ceiling adapter

TREATMENT LIGHT



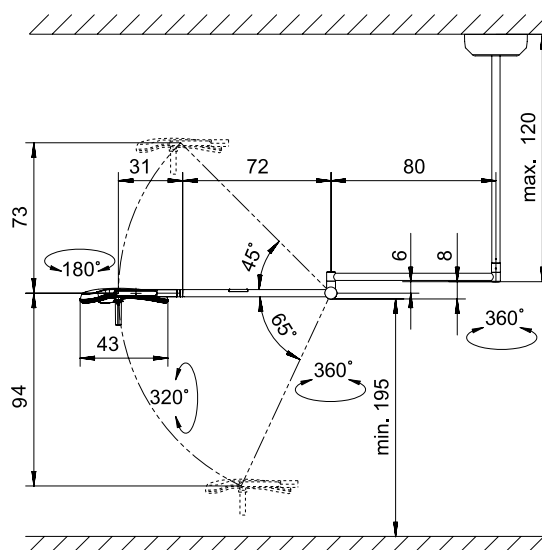
	lighting field / 1.0 m	color temperature	dimmable	Order No.
	changeable value 16 / 20 / 25 cm	changeable value 3700 / 4300 / 4700 K*		
TRIANGO Fokus 130-3 C	x	x	x	D16.290.000

LIGHT DISTRIBUTION



valid for Triango 130 with fixed lighting field

TECHNICAL DRAWING



measurements in centimeters * -10% / +20% tolerance



TRIANGO 130 W

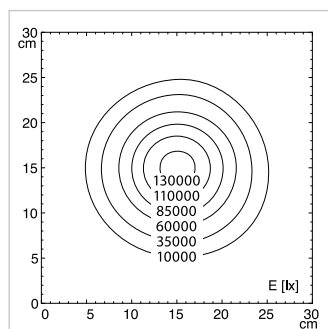
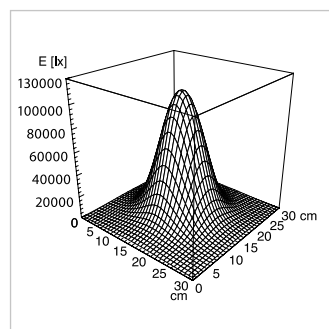
TECHNICAL DATA	
FITTED WITH	1 x LED module
LUMINOUS POWER	130 000 lux / 1.0 m *
COLOR RENDERING INDEX	Ra > 96
DEPTH OF ILLUMINATION	80 cm
OPERATION EQUIPMENT	Electronic converter
CORD LENGTH	Direct power supply
LUMINAIRE BODY	PA
WEIGHT (NET)	15.3 kg
POWER CONSUMPTION	40 W
RATED CONNECTION VOLTAGE	100 - 240 V
FREQUENCY RANGE	50 / 60 Hz
USAGE	Touch panel on cardanic system
TECHNOLOGY	Single-pole secondary
BALANCE OF ARTICULATION JOINTS	Spring (weight compensation)
CLASS OF PROTECTION	I
PROTECTION RATING	According to IEC 60529 IP 20 luminaire head IP 43 (horizontal position)
STANDARDS MET	EN 60601-1, EN 60601-2-41
SPECIAL FEATURES	Sterilizable handle, high quality arm system, 4-step dimmable (100% / 80% / 60% / 40%) *, focusable, color changeable
MOUNTING	Wall mount
ACCESSORIES	Sterilizable handle, handle cover

TREATMENT LIGHT

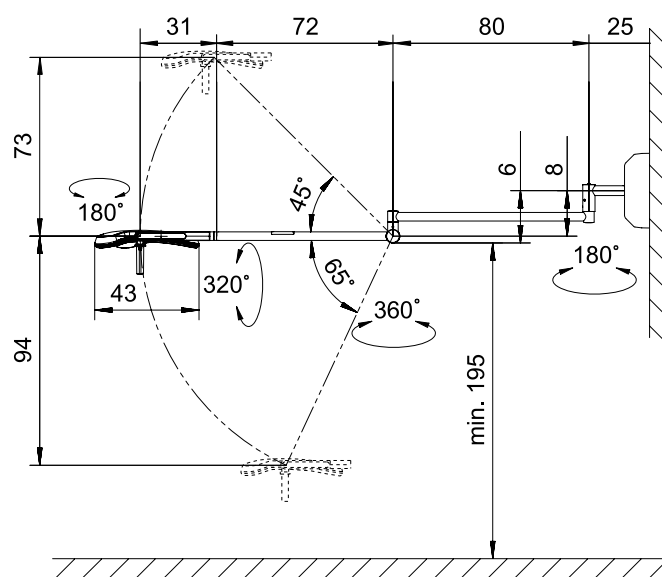


	lighting field / 1.0 m	color temperature	dimmable	Order No.
	changeable value 16 / 20 / 25 cm	changeable value 3700 / 4300 / 4700 K*		
TRIANGO Fokus 130-3 W	x	x	x	D16.291.000

LIGHT DISTRIBUTION



TECHNICAL DRAWING



valid for Triango 100 with fixed lighting field

TRIANGO 130 F



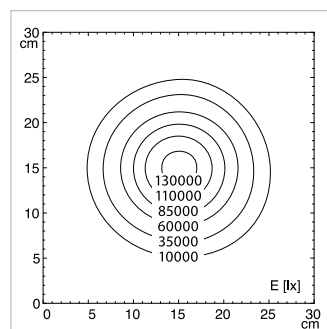
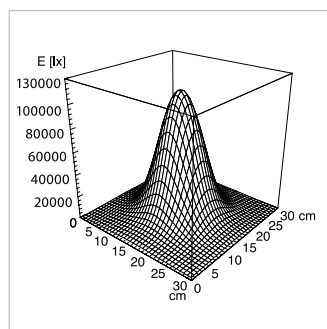
TECHNICAL DATA	
FITTED WITH	1 x LED module
LUMINOUS POWER	130 000 lux / 1.0 m *
COLOR RENDERING INDEX	Ra > 96
DEPTH OF ILLUMINATION	80 cm
OPERATION EQUIPMENT	Electronic converter
CORD LENGTH	3 m
LUMINAIRE BODY	PA
WEIGHT (NET)	20.0 Kg
POWER CONSUMPTION	40 W
RATED CONNECTION VOLTAGE	100 - 240 V
FREQUENCY RANGE	50 / 60 Hz
USAGE	Touch panel on cardanic system
TECHNOLOGY	Single-pole secondary
BALANCE OF ARTICULATION JOINTS	Spring (weight compensation)
CLASS OF PROTECTION	I
PROTECTION RATING	According to IEC 60529 IP 20 luminaire head IP 43 (horizontal position)
STANDARDS MET	EN 60601-1, EN 60601-2-41
SPECIAL FEATURES	Sterilizable handle, high quality arm system, 4-step dimmable (100% / 80% / 60% / 40%) *, focusable, color changeable
MOUNTING	roller stand
ACCESSORIES	Sterilizable handle, handle cover

TREATMENT LIGHT



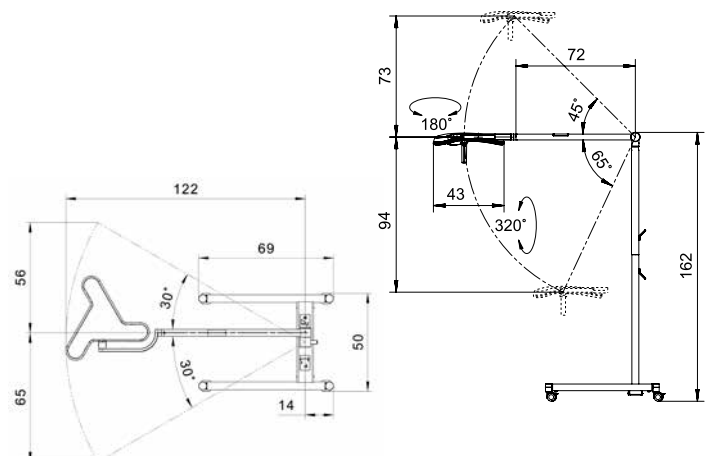
	lighting field / 1.0 m	color temperature	dimmable	Order No.
	changeable value 16 / 20 / 25 cm	changeable value 3700 / 4300 / 4700 K*		
TRIANGO Fokus 130-3 F	x	x	x	D16.295.000 - CH D16.292.000 - SCHUKO D16.293.000 - UK

LIGHT DISTRIBUTION



valid for Triango 100 with fixed lighting field

TECHNICAL DRAWING



TRIANGO 100 C Duo

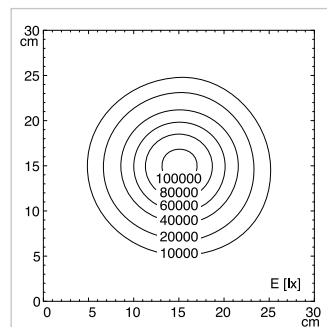
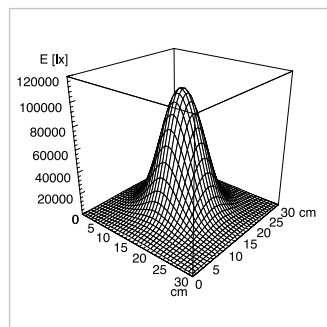
TECHNICAL DATA	
FITTED WITH	1 × LED module
LUMINOUS POWER	2 × 100 000 lux / 1.0 m *
COLOR RENDERING INDEX	Ra > 96
DEPTH OF ILLUMINATION	80 cm
OPERATION EQUIPMENT	Electronic converter
CORD LENGTH	Direct power supply
LUMINAIRE BODY	Polyamide (PA)
WEIGHT (NET)	30 kg (DUO total)
POWER CONSUMPTION	2 × 40 W
RATED CONNECTION VOLTAGE	100 - 240 V
FREQUENCY RANGE	50 / 60 Hz
USAGE	Touch panel on cardanic system
TECHNOLOGY	Single-pole secondary
BALANCE OF ARTICULATION JOINTS	Spring (weight compensation)
CLASS OF PROTECTION	I
PROTECTION RATING	According to IEC 60529 IP 20 luminaire head IP 43 (horizontal position)
STANDARDS MET	EN 60601-1, EN 60601-2-41
SPECIAL FEATURES	Diamond optics, sterilizable handle, high quality arm system, 4-step dimmable (100% / 80% / 60% / 40%) *
MOUNTING	Ceiling mount, ceiling tube can be cut on site (length: 25-120 cm)
ACCESSORIES	Sterilizable handle, handle cover, intermediate ceiling adapter

TREATMENT LIGHT



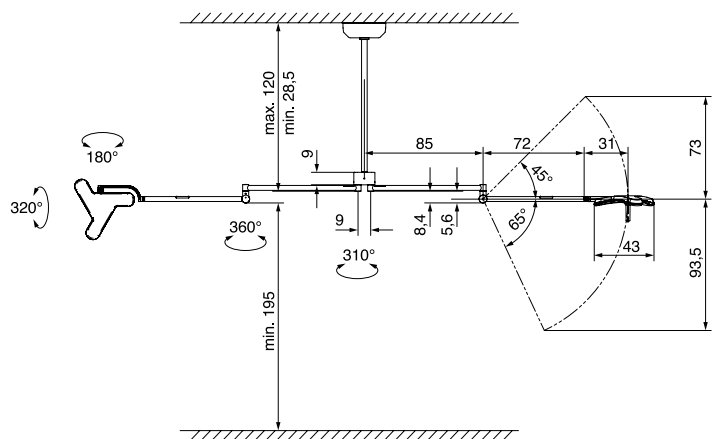
	lighting field / 1.0 m	lighting field / 1.0 m	color temperature	color temperature	dimmable	Order No.
	fixed value 18 cm	changeable value 18 / 23 / 28 cm	fixed value 4300 K *	changeable value 3700 / 4300 / 4700 K *		
TRIANGO 100-1 C Duo	x		x		x	D16.201.000-00811242
TRIANGO Fokus 100-3 C Duo		x		x	x	D16.202.000-00811330

LIGHT DISTRIBUTION



valid for Triango 100 with fixed lighting field / per luminaire head

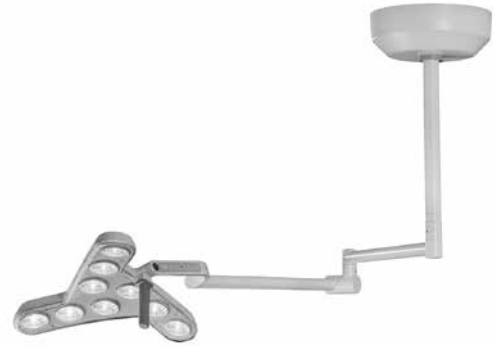
TECHNICAL DRAWING



TRIANGO 100 C

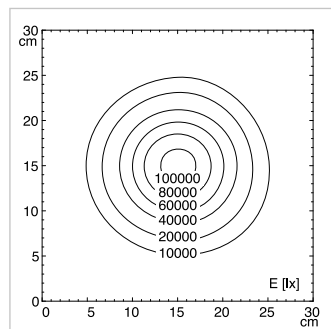
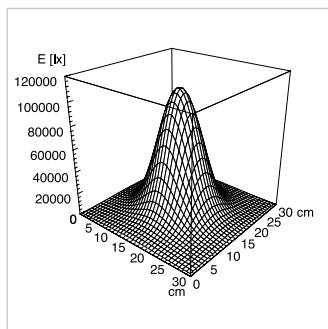
TECHNICAL DATA	
FITTED WITH	1 × LED module
LUMINOUS POWER	100 000 lux / 1.0 m *
COLOR RENDERING INDEX	Ra > 96
DEPTH OF ILLUMINATION	80 cm
OPERATION EQUIPMENT	Electronic converter
CORD LENGTH	Direct power supply
LUMINAIRE BODY	Polyamide (PA)
WEIGHT (NET)	15.9 kg
POWER CONSUMPTION	40 W
RATED CONNECTION VOLTAGE	100 - 240 V
FREQUENCY RANGE	50 / 60 Hz
USAGE	Touch panel on cardanic system
TECHNOLOGY	Single-pole secondary
BALANCE OF ARTICULATION JOINTS	Spring (weight compensation)
CLASS OF PROTECTION	I
PROTECTION RATING	According to IEC 60529 IP 20 luminaire head IP 43 (horizontal position)
STANDARDS MET	EN 60601-1, EN 60601-2-41
SPECIAL FEATURES	Diamond optics, sterilizable handle, high quality arm system, 4-step dimmable (100% / 80% / 60% / 40%) *
MOUNTING	Ceiling mount, ceiling tube can be cut on site (length: 25-120 cm)
ACCESSORIES	Sterilizable handle, handle cover, intermediate ceiling adaptor

TREATMENT LIGHT



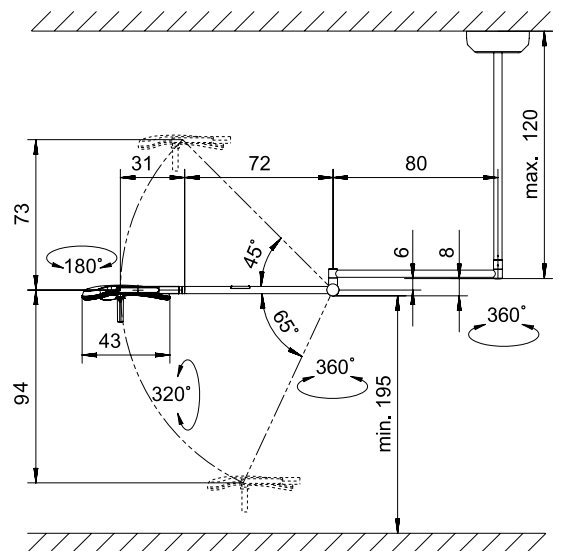
	lighting field / 1.0 m	lighting field / 1.0 m	color temperature	color temperature	dimmable	Order No.
	fixed value 18 cm	changeable value 18 / 23 / 28 cm	fixed value 4300 K *	changeable value 3 700 / 4 300 / 4 700 K *		
TRIANGO 100-1 C	x				x	D15.884.000-00802695
TRIANGO 100-3 C	x			x	x	D15.885.000-00803113
TRIANGO Fokus 100-1		x	x		x	D15.886.000-00803685
TRIANGO Fokus 100-3 C		x		x	x	D15.887.000-00803686
TRIANGO Endo 100-1 C	x		x		x Endo mode	D15.972.000-00803704

LIGHT DISTRIBUTION



valid for Triango 100 with fixed lighting field

TECHNICAL DRAWING



TRIANGO 100 W

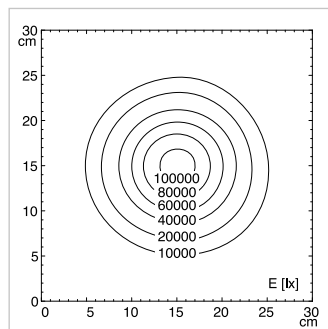
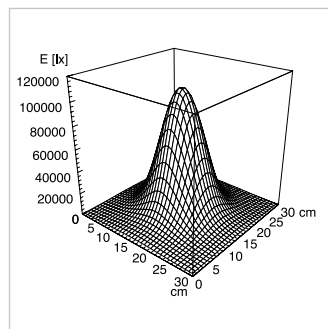
TECHNICAL DATA	
FITTED WITH	1 x LED module
LUMINOUS POWER	100 000 lux / 1.0 m *
COLOR RENDERING INDEX	Ra > 96
DEPTH OF ILLUMINATION	80 cm
OPERATION EQUIPMENT	Electronic converter
CORD LENGTH	Direct power supply
LUMINAIRE BODY	PA
WEIGHT (NET)	15.3 kg
POWER CONSUMPTION	40 W
RATED CONNECTION VOLTAGE	100 - 240 V
FREQUENCY RANGE	50 / 60 Hz
USAGE	Touch panel on cardanic system
TECHNOLOGY	Single-pole secondary
BALANCE OF ARTICULATION JOINTS	Spring (weight compensation)
CLASS OF PROTECTION	I
PROTECTION RATING	According to IEC 60529 IP 20 luminaire head IP 43 (horizontal position)
STANDARDS MET	EN 60601-1, EN 60601-2-41
SPECIAL FEATURES	Diamond optics, sterilizable handle, high quality arm system, 4-step dimmable (100% / 80% / 60% / 40%) *
MOUNTING	Wall mount
ACCESSORIES	Sterilizable handle, handle cover

TREATMENT LIGHT



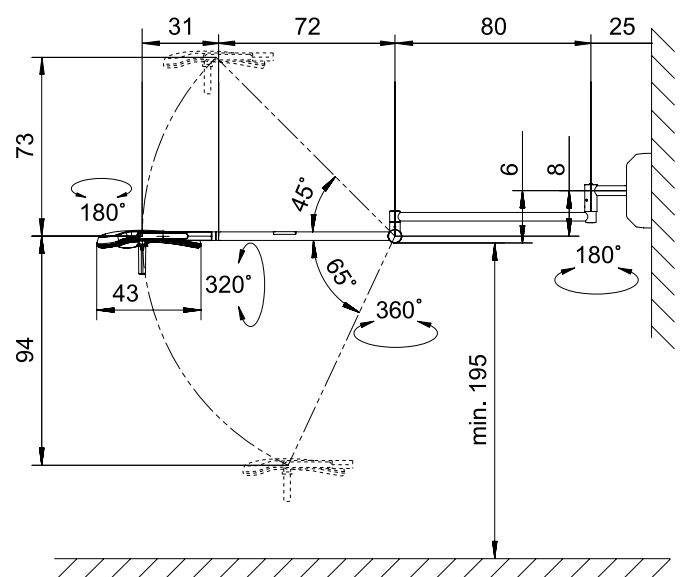
	lighting field / 1.0 m fixed value 18 cm	lighting field / 1.0 m changeable value 18 / 23 / 28 cm	color temperature fixed value 4300 K *	color temperature changeable value 3700 / 4300 / 4700 K *	dimmable	Order No.
TRIANGO 100-1 W	x		x		x	D15.888.000-00803663
TRIANGO 100-3 W	x			x	x	D15.889.000-00803114
TRIANGO Fokus 100-1 W		x	x		x	D15.890.000-00803687
TRIANGO Fokus 100-3 W		x		x	x	D15.891.000-00803688
TRIANGO Endo 100-1 W	x		x		x Endo mode	D15.973.000-00803706

LIGHT DISTRIBUTION



valid for Triango 100 with fixed lighting field

TECHNICAL DRAWING



measurements in centimeters * -10% / +20% tolerance

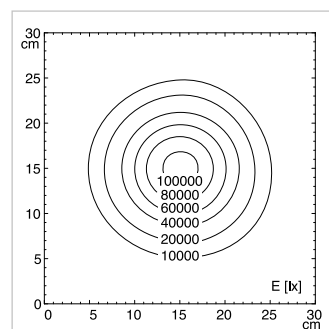
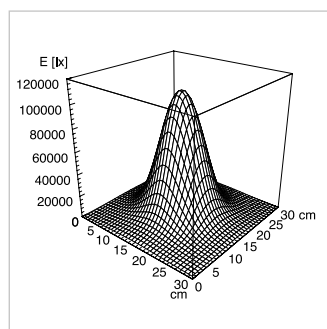
TECHNICAL DATA	
FITTED WITH	1 × LED module
LUMINOUS POWER	100 000 lux / 1.0 m *
COLOR RENDERING INDEX	Ra > 96
DEPTH OF ILLUMINATION	80 cm
OPERATION EQUIPMENT	Electronic converter
CORD LENGTH	3 m
LUMINAIRE BODY	PA
WEIGHT (NET)	20.0 Kg
POWER CONSUMPTION	40 W
RATED CONNECTION VOLTAGE	100 - 240 V
FREQUENCY RANGE	50 / 60 Hz
USAGE	Touch panel on cardanic system
TECHNOLOGY	Single-pole secondary
BALANCE OF ARTICULATION JOINTS	Spring (weight compensation)
CLASS OF PROTECTION	I
PROTECTION RATING	According to IEC 60529 IP 20 luminaire head IP 43 (horizontal position)
STANDARDS MET	EN 60601-1, EN 60601-2-41
SPECIAL FEATURES	Diamond optics, sterilizable handle, high quality arm system, 4-step dimmable (100% / 80% / 60% / 40%) *
MOUNTING	roller stand
ACCESSORIES	Sterilizable handle, handle cover

TREATMENT LIGHT



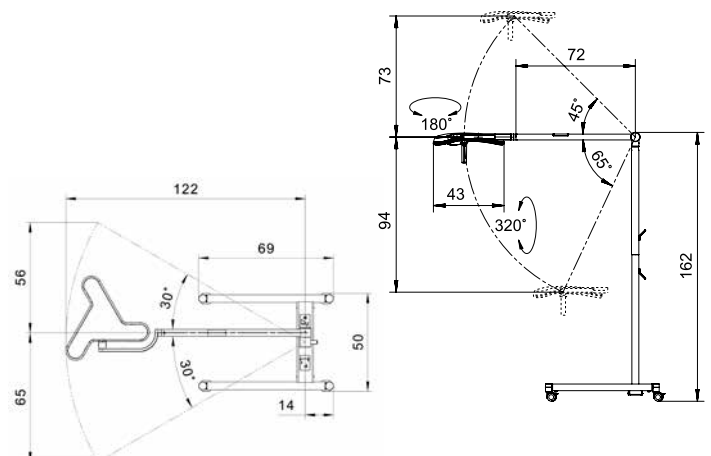
	lighting field / 1.0 m fixed value 18 cm	lighting field / 1.0 m changeable value 18 / 23 / 28 cm	color temperature fixed value 4300 K *	color temperature changeable value 3700 / 4300 / 4700 K *	dimmable	Order No.
TRIANGO 100-1 F	x		x		x	D15.923.000-00803670 - CH D15.892.000-00803664 - SCHUKO D15.911.000-00803665 - UK
TRIANGO 100-3 F	x			x	x	D15.924.000-00803671 - CH D15.893.000-00803115 - SCHUKO D15.912.000-00803187 - UK
TRIANGO Fokus 100-1 F		x	x		x	D15.925.000-00803698 - CH D15.894.000-00803689 - SCHUKO D15.913.000-00803700 - UK
TRIANGO Fokus 100-3 F		x		x	x	D15.926.000-00803699 - CH D15.895.000-00803690 - SCHUKO D15.914.000-00803188 - UK
TRIANGO Endo 100-1 F	x		x		x Endo mode	D15.978.000-00803711- CH D15.974.000-00803707 - SCHUKO D15.975.000-00803708 - UK

LIGHT DISTRIBUTION



valid for Triango 100 with fixed lighting field

TECHNICAL DRAWING



TRIANGO 100 F Battery

NEW

D

TECHNICAL DATA

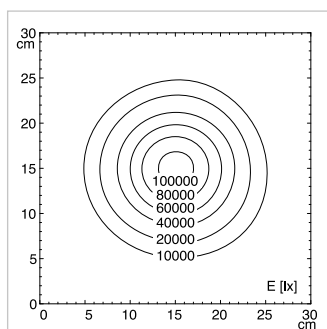
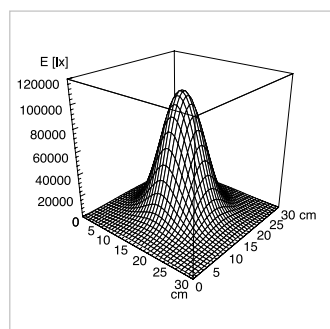
FITTED WITH	1 × LED module
LUMINOUS POWER	100 000 lux / 1.0 m *
COLOR RENDERING INDEX	Ra > 96
DEPTH OF ILLUMINATION	80 cm
OPERATION EQUIPMENT	Electronic converter
CORD LENGTH	3 m
LUMINAIRE BODY	PA
WEIGHT (NET)	32 kg
POWER CONSUMPTION	40 W
RATED CONNECTION VOLTAGE	100 - 240 V
FREQUENCY RANGE	50 / 60 Hz
USAGE	Touch panel on cardanic system
TECHNOLOGY	Single-pole secondary
BALANCE OF ARTICULATION JOINTS	Spring (weight compensation)
CLASS OF PROTECTION	I
PROTECTION RATING	According to IEC 60529 IP 20 luminaire head IP 43 (horizontal position)
STANDARDS MET	EN 60601-1, EN 60601-2-41
SPECIAL FEATURES	Diamond optics, sterilizable handle, maintenance-free, high quality arm system, 4-step dimmable (100% / 80% / 60% / 40%) *, UPSmed Pack
MOUNTING	roller stand
ACCESSORIES	Sterilizable handle, handle cover
BATTERY LIFE UP TO 70%	1 200 cycles
BATTERY RUNTIME	- 4.5 h
BATTERY TYPE	NP17-12I Industrial VRLA Battery

TREATMENT LIGHT



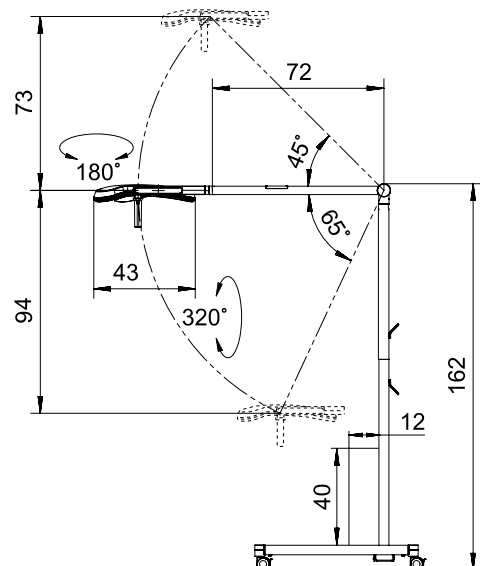
	lighting field / 1.0 m fixed value 18 cm	lighting field / 1.0 m changeable value 18 / 23 / 28 cm	color temperature fixed value 4300 K *	color temperature changeable value 3700 / 4300 / 4700 K *	dimmable	Order No.
TRIANGO 100-1 F	x		x		x	D16.224.000-00814493 - CH D16.222.000-00814491 - SCHUKO D16.226.000-00814495 - UK
TRIANGO Fokus 100-3 F		x		x	x	D16.225.000-00814494 - CH D16.223.000-00814492 - SCHUKO D16.231.000-00814496 - UK

LIGHT DISTRIBUTION



valid for Triango 100 with fixed lighting field

TECHNICAL DRAWING



measurements in centimeters * -10% / +20% tolerance

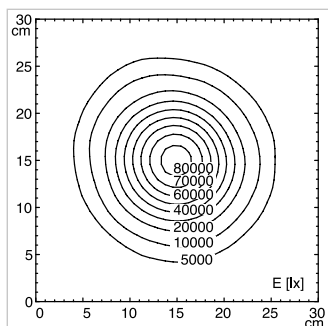
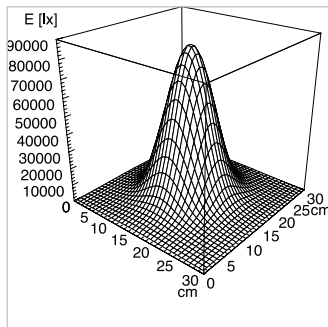
TRIANGO 80 C

TECHNICAL DATA	
FITTED WITH	1 × LED module
LUMINOUS POWER	80 000 lux / 1,0 m *
COLOR TEMPERATURE	4 500 K *
LIGHTING FIELD 1,0 m	∅ 18 cm*
DEPTH OF ILLUMINATION	124 cm
COLOR RENDERING INDEX	CRI > 95
OPERATION EQUIPMENT	Electronic converter
CORD LENGTH	Direct power supply
LUMINAIRE BODY	Polycarbonate & acrylonitrile butadiene styrene copolymer (PC & ABS)
WEIGHT (NET)	14 kg
POWER CONSUMPTION	30 Watt
RATED CONNECTION VOLTAGE	100 - 240 V
FREQUENCY RANGE	50 / 60 Hz
USAGE	Rotary switch on the luminaire head
TECHNOLOGY	Single-pole secondary
BALANCE OF ARTICULATION JOINTS	Spring (weight compensation)
CLASS OF PROTECTION	I
PROTECTION RATING	According to IEC 60529 IP 20 luminaire head IP 43 (horizontal position)
STANDARDS MET	EN 60601-1, EN 60601-2-41
SPECIAL FEATURES	Continuously dimmable (40-100%) *, sterilizable handle
MOUNTING	Ceiling mount, ceiling tube could be cut to length 25-120 cm
ACCESSORIES	Sterilizable handle, disposable cover for handle, intermediate ceiling adapter
ORDER NUMBER	D16.131.000-00808951

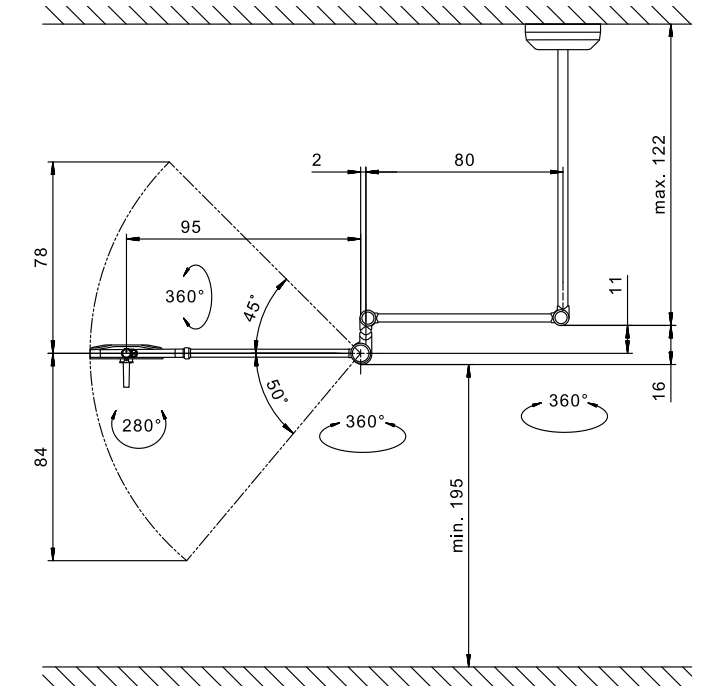
TREATMENT LIGHT



LIGHT DISTRIBUTION



TECHNICAL DRAWING



TRIANGO 80 W

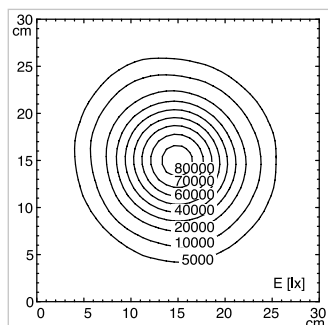
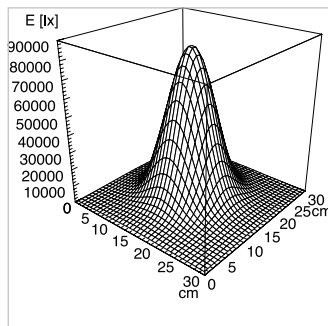
TECHNICAL DATA

FITTED WITH	1 × LED module
LUMINOUS POWER	80 000 lux / 1,0 m *
COLOR TEMPERATURE	4 500 K *
LIGHTING FIELD 1,0 m	∅ 18 cm*
DEPTH OF ILLUMINATION	124 cm
COLOR RENDERING INDEX	CRI > 95
OPERATION EQUIPMENT	Electronic converter
CORD LENGTH	Direct power supply
LUMINAIRE BODY	Polycarbonate & acrylonitrile butadiene styrene copolymer (PC & ABS)
WEIGHT (NET)	13,5 kg
POWER CONSUMPTION	30 Watt
RATED CONNECTION VOLTAGE	100 - 240 V
FREQUENCY RANGE	50 / 60 Hz
USAGE	Rotary switch on the luminaire head
TECHNOLOGY	Single-pole secondary
BALANCE OF ARTICULATION JOINTS	Spring (weight compensation)
CLASS OF PROTECTION	I
PROTECTION RATING	According to IEC 60529 IP 20 luminaire head IP 43 (horizontal position)
STANDARDS MET	EN 60601-1, EN 60601-2-41
SPECIAL FEATURES	Continuously dimmable (40-100%) *, sterilizable handle
MOUNTING	Wall mount
ACCESSORIES	Sterilizable handle, disposable cover for handle
ORDER NUMBER	D16.136.000-00808986

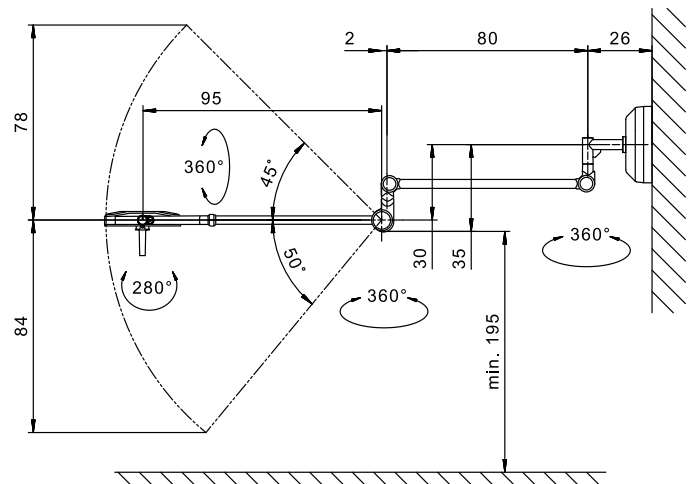
TREATMENT LIGHT



LIGHT DISTRIBUTION



TECHNICAL DRAWING



TRIANGO 80 F

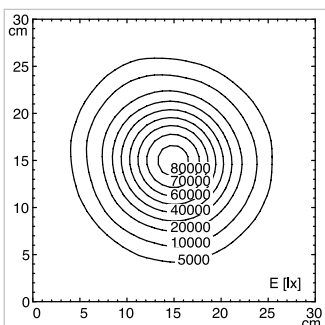
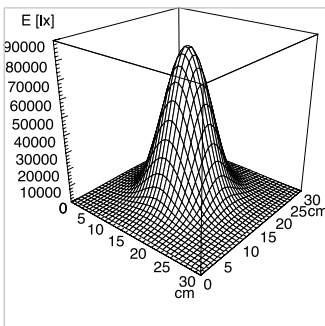
TECHNICAL DATA

FITTED WITH	1 × LED module
LUMINOUS POWER	80 000 Lux / 1,0 m *
COLOR TEMPERATURE	4 500 K *
LIGHTING FIELD 1,0 m	∅ 18 cm*
DEPTH OF ILLUMINATION	124 cm
COLOR RENDERING INDEX	CRI > 95
OPERATION EQUIPMENT	Electronic converter
CORD LENGTH	3 m
LUMINAIRE BODY	Polycarbonate & Acrylonitrile-butadiene-styrene-copolymer (PC & ABS)
WEIGHT (NET)	20 kg
POWER CONSUMPTION	30 Watt
RATED CONNECTION VOLTAGE	100 - 240 V
FREQUENCY RANGE	50 / 60 Hz
USAGE	Rotary switch on the luminaire head
TECHNOLOGY	Single-pole secondary
BALANCE OF ARTICULATION JOINTS	Spring (weight compensation)
CLASS OF PROTECTION	I
PROTECTION RATING	According to IEC 60529 IP 20 luminaire head IP 43 (horizontal position)
STANDARDS MET	EN 60601-1, EN 60601-2-41
SPECIAL FEATURES	Continuously dimmable (40-100%) *, sterilizable handle
MOUNTING	roller stand
ACCESSORIES	disposable cover for handle, intermediate ceiling adapter
ORDER NUMBER	D16.132.000-00808982 - pure white - Schuko D16.133.000-00808983 - pure white - CH D16.134.000-00808984 - pure white - UK

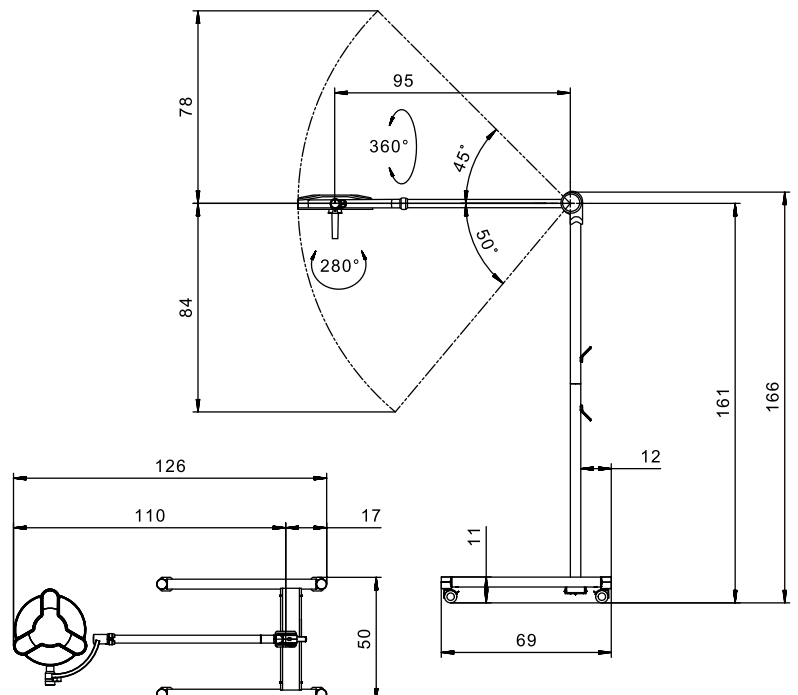
TREATMENT LIGHT



LIGHT DISTRIBUTION



TECHNICAL DRAWING



TRIANGO 80 F Battery

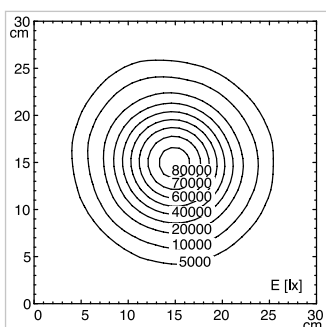
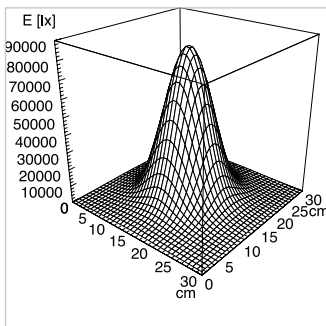
TECHNICAL DATA

FITTED WITH	1 × LED module
LUMINOUS POWER	80 000 Lux / 1,0 m *
COLOR TEMPERATURE	4 500 K *
LIGHTING FIELD 1,0 m	ø 18 cm*
DEPTH OF ILLUMINATION	124 cm
COLOR RENDERING INDEX	CRI > 95
OPERATION EQUIPMENT	Electronic converter
CORD LENGTH	3 m
LUMINAIRE BODY	Polycarbonate & Acrylonitrile-butadiene-styrene-copolymer (PC & ABS)
WEIGHT (NET)	32 kg
POWER CONSUMPTION	30 Watt
RATED CONNECTION VOLTAGE	100 - 240 V
FREQUENCY RANGE	50 / 60 Hz
USAGE	Rotary switch on the luminaire head
TECHNOLOGY	Single-pole secondary
BALANCE OF ARTICULATION JOINTS	Spring (weight compensation)
CLASS OF PROTECTION	I
PROTECTION RATING	According to IEC 60529 IP 20 luminaire head IP 43 (horizontal position)
STANDARDS MET	EN 60601-1, EN 60601-2-41
SPECIAL FEATURES	Continuously dimmable (40-100%) *, sterilizable handle, UPSmed Pack
MOUNTING	roller stand
ACCESSORIES	disposable cover for handle, intermediate ceiling adapter
BATTERY LIFE UP TO 70%	1 200 cycles
BATTERY RUNTIME	- 6.5 h
BATTERY TYPE	NP17-12I Industrial VRLA Battery
ORDER NUMBER	D16.218.000-00 814487 - CH D16.209.000-00 814486 - Schuko D16.219.000-00 814488 - UK

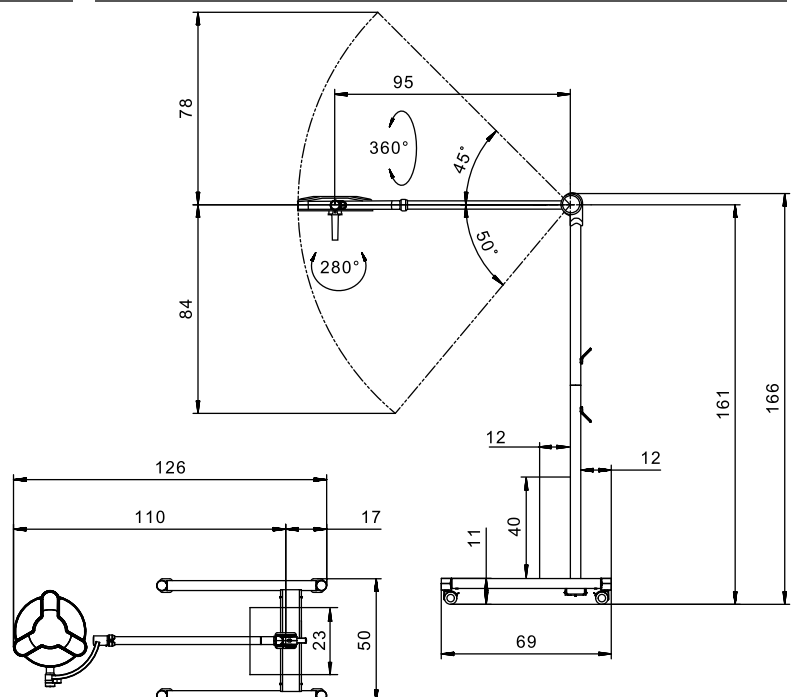
TREATMENT LIGHT



LIGHT DISTRIBUTION



TECHNICAL DRAWING



TRIANGO 60 C



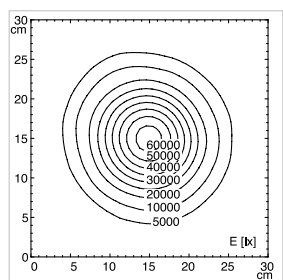
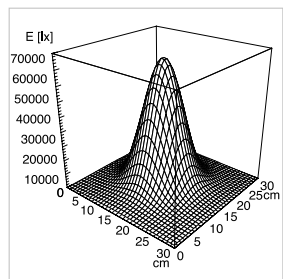
TECHNICAL DATA	
FITTED WITH	1 x LED module
LUMINOUS POWER	60 000 lux / 1,0 m *
DEPTH OF ILLUMINATION	140 cm
COLOR RENDERING INDEX	CRI > 95
OPERATION EQUIPMENT	Electronic converter
CORD LENGTH	Direct power supply
LUMINAIRE BODY	Polyamide (PA)
WEIGHT (NET)	13 kg
POWER CONSUMPTION	< 30 W
RATED CONNECTION VOLTAGE	100 - 240 V
FREQUENCY RANGE	50 / 60 Hz
USAGE	Touch panel on cardanic system
TECHNOLOGY	Single-pole secondary
BALANCE OF ARTICULATION JOINTS	Spring (weight compensation)
CLASS OF PROTECTION	I
PROTECTION RATING	According to IEC 60529 IP 20 luminaire head IP 43 (horizontal position)
STANDARDS MET	EN 60601-1, EN 60601-2-41
SPECIAL FEATURES	Continuously dimmable (15-100%) *, sterilizable handle, maintenance-free
MOUNTING	Ceiling mount, ceiling tube could be cut to length 25-120 cm
ACCESSORIES	Sterilizable handle, disposable cover for handle, intermediate ceiling adapter

TREATMENT LIGHT

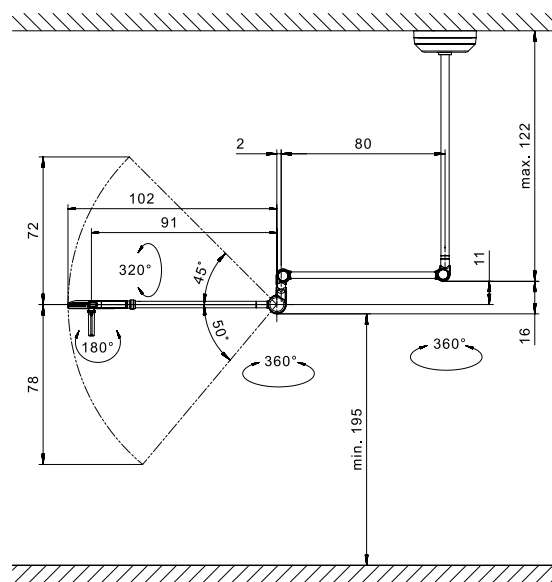


	lighting field / 1.0 m fixed value 18 cm	lighting field / 1.0 m changeable value 18 / 23 / 25	color temper- ature fixed value 4700 K *	color temper- ature changeable value 3700 / 4300 / 4700 K *	dimmable	Order No.
TRIANGO 60-1 C	x		x		x	D16.250.000-00813741
TRIANGO 60-3 C	x			x	x	D16.251.000-00814310
TRIANGO Fokus 60-1 C		x	x		x	D16.252.000-00814311

LIGHT DISTRIBUTION



TECHNICAL DRAWING



TRIANGO 60 W

NEW



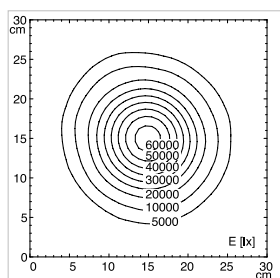
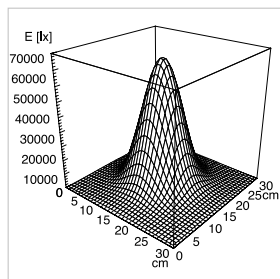
TECHNICAL DATA	
FITTED WITH	1 x LED module
LUMINOUS POWER	60 000 lux / 1,0 m *
DEPTH OF ILLUMINATION	140 cm
COLOR RENDERING INDEX	CRI > 95
OPERATION EQUIPMENT	Electronic converter
CORD LENGTH	Direct power supply
LUMINAIRE BODY	Polyamide (PA)
WEIGHT (NET)	12,5 kg
POWER CONSUMPTION	< 30 W
RATED CONNECTION VOLTAGE	100 - 240 V
FREQUENCY RANGE	50 / 60 Hz
USAGE	Touch panel on cardanic system
TECHNOLOGY	Single-pole secondary
BALANCE OF ARTICULATION JOINTS	Spring (weight compensation)
CLASS OF PROTECTION	I
PROTECTION RATING	According to IEC 60529 IP 20 luminaire head IP 43 (horizontal position)
STANDARDS MET	EN 60601-1, EN 60601-2-41
SPECIAL FEATURES	Continuously dimmable (15-100%) *, sterilizable handle, maintenance-free
MOUNTING	Wall mount
ACCESSORIES	Sterilizable handle, disposable cover for handle

TREATMENT LIGHT

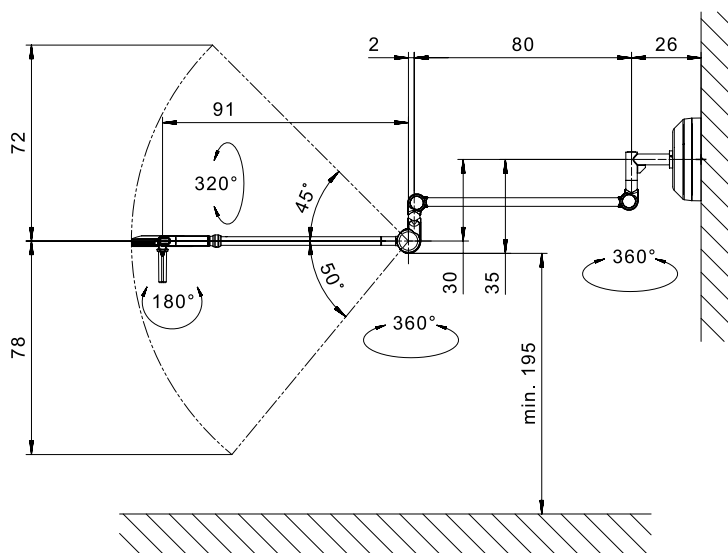


	lighting field / 1.0 m fixed value 18 cm	lighting field / 1.0 m changeable value 18 / 23 / 25	color temper- ature fixed value 4700 K *	color temper- ature changeable value 3700 / 4300 / 4700 K *	dimmable	Order No.
TRIANGO 60-1 W	x		x		x	D16.256.000-00813742
TRIANGO 60-3 W	x			x	x	D16.257.000-00814315
TRIANGO Fokus 60-1 W		x	x		x	D16.258.000-00814316

LIGHT DISTRIBUTION



TECHNICAL DRAWING



TRIANGO 60 F

NEW

D

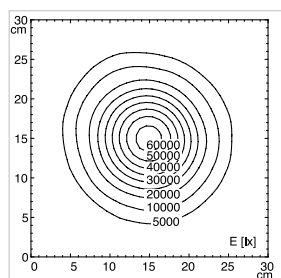
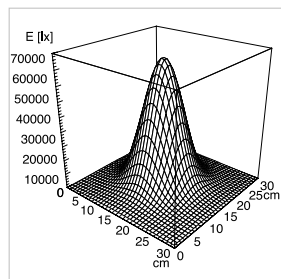
TECHNICAL DATA	
FITTED WITH	1 × LED module
LUMINOUS POWER	60 000 Lux / 1,0 m *
DEPTH OF ILLUMINATION	140 cm
COLOR RENDERING INDEX	CRI > 95
OPERATION EQUIPMENT	Electronic converter
CORD LENGTH	3 m
LUMINAIRE BODY	Polyamide (PA)
WEIGHT (NET)	19 kg
POWER CONSUMPTION	< 30 W
RATED CONNECTION VOLTAGE	100 - 240 V
FREQUENCY RANGE	50 / 60 Hz
USAGE	Touch panel on cardanic system
TECHNOLOGY	Single-pole secondary
BALANCE OF ARTICULATION JOINTS	Spring (weight compensation)
CLASS OF PROTECTION	I
PROTECTION RATING	According to IEC 60529 IP 20 luminaire head IP 43 (horizontal position)
STANDARDS MET	EN 60601-1, EN 60601-2-41
SPECIAL FEATURES	Continuously dimmable (15-100%) *, sterilizable handle, maintenance-free
MOUNTING	roller stand
ACCESSORIES	Disposable cover for handle, intermediate ceiling adapter

TREATMENT LIGHT

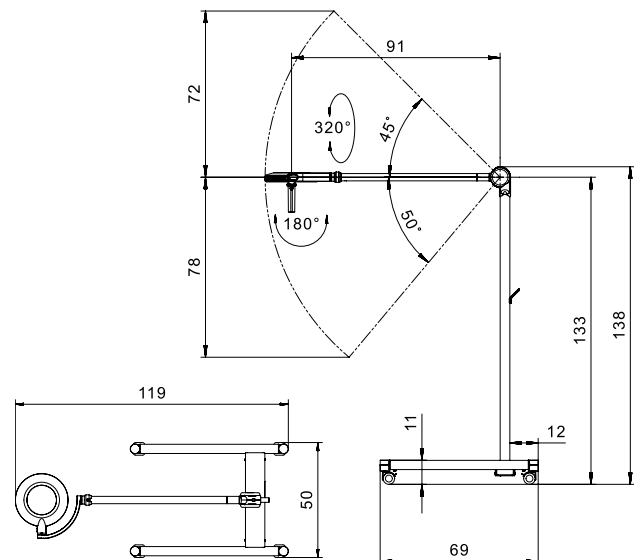


	lighting field / 1.0 m fixed value 18 cm	lighting field / 1.0 m changeable value 18 / 23 / 25	color tempe- rature fixed value 4700 K *	color tempe- rature changeable value 3700 / 4300 / 4700 K *	dimmable	Order No.
TRIANGO 60-1 F	x		x		x	D16.262.000-00813744 - CH D16.259.000-00813743 - SCHUKO D16.271.000-00813747 - UK
TRIANGO 60-3 F	x			x	x	D16.263.000-00814319 - CH D16.260.000-00814317 - SCHUKO D16.272.000-00814325 - UK
TRIANGO Fokus 60-1 F		x	x		x	D16.264.000-00814320 - CH D16.261.000-00814318 - SCHUKO D16.273.000-00814326 - UK

LIGHT DISTRIBUTION



TECHNICAL DRAWING



TRIANGO 60 F Battery

NEW

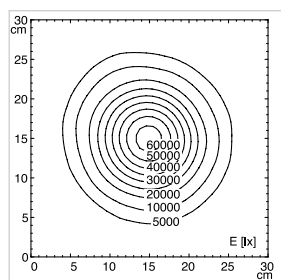
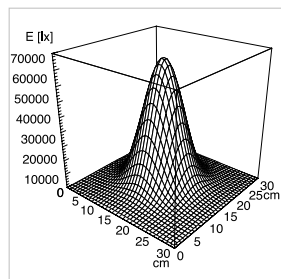
D

TECHNICAL DATA	
FITTED WITH	1 × LED module
LUMINOUS POWER	60 000 Lux / 1,0 m *
COLOR TEMPERATURE	4 700 K *
LIGHTING FIELD 1,0 m	∅ 18 cm*
DEPTH OF ILLUMINATION	140 cm
COLOR RENDERING INDEX	CRI > 95
OPERATION EQUIPMENT	Electronic converter
CORD LENGTH	3 m
LUMINAIRE BODY	Polyamide (PA)
WEIGHT (NET)	31 kg
POWER CONSUMPTION	< 30 W
RATED CONNECTION VOLTAGE	100 - 240 V
FREQUENCY RANGE	50 / 60 Hz
USAGE	Touch panel on cardanic system
TECHNOLOGY	Single-pole secondary
BALANCE OF ARTICULATION JOINTS	Spring (weight compensation)
CLASS OF PROTECTION	I
PROTECTION RATING	According to IEC 60529 IP 20 luminaire head IP 43 (horizontal position)
STANDARDS MET	EN 60601-1, EN 60601-2-41
SPECIAL FEATURES	Continuously dimmable (15-100%) *, sterilizable handle, maintenance-free, UPSmed Pack
MOUNTING	roller stand
ACCESSORIES	Disposable cover for handle, intermediate ceiling adapter
BATTERY LIFE UP TO 70%	1 200 cycles
BATTERY RUNTIME	- 6.5 h
BATTERY TYPE	NP17-12I Industrial VRLA Battery
ORDER NUMBER	D16.279.000-00814482 - CH D16.278.000-00814481 - Schuko D16.282.000-00814485 - UK

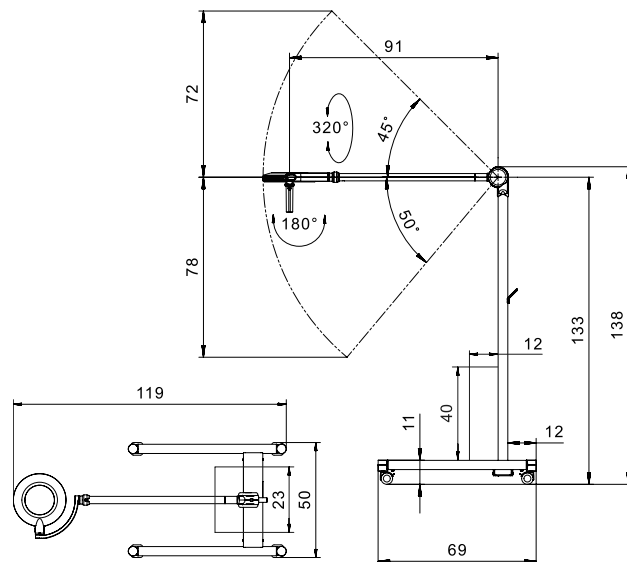
TREATMENT LIGHT



LIGHT DISTRIBUTION



TECHNICAL DRAWING



VISIANO 20-2 C T1

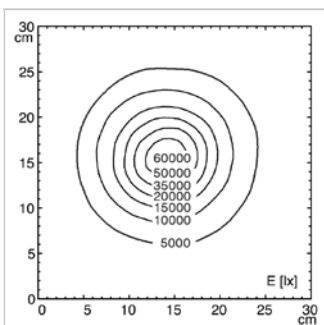
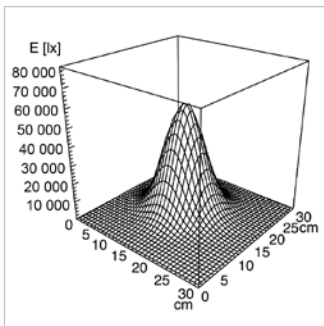
TECHNICAL DATA

FITTED WITH	1 × LED module
LUMINOUS POWER	60 000 lux / 0.5 m *
LIGHTING FIELD 0.5 m	Ø 21 cm *
COLOR RENDERING INDEX	CRI > 95
COLOR TEMPERATURE	3 500 K & 4 500 K *
OPERATION EQUIPMENT	Electronic converter
VOLTAGE	100-240 V; 50/60 Hz
CORD LENGTH	Direct power supply
LUMINAIRE BODY	Polycarbonate & Acrylonitrile-butadiene-styrene-copolymer (PC & ABS)
WEIGHT (NET)	9,0 kg
POWER CONSUMPTION	21 W
BALANCE OF ARTICULATION JOINTS	Spring
USAGE	Touch panel on light head
CLASS OF PROTECTION	I
PROTECTION RATING	IP 20
STANDARDS MET	EN 60601-1, EN 60601-2-41
SPECIAL FEATURES	2 color temperatures, 4 dimming levels, rotary joint (360° turnover axis)
MOUNTING	Ceiling mount, ceiling tube can be cut on site (length: 40-116 cm)
ACCESSORIES	Intermediate ceiling adapter
ORDER NUMBER	D15.450.000-00633104 - pure white

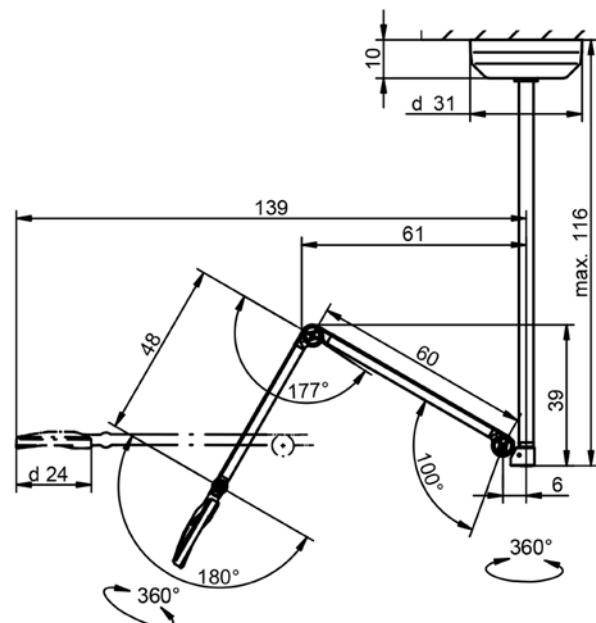
EXAMINATION LIGHTS



LIGHT DISTRIBUTION



TECHNICAL DRAWING



VISIANO 20-2 P TX

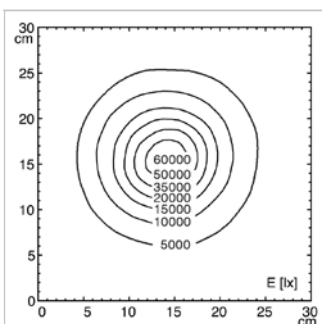
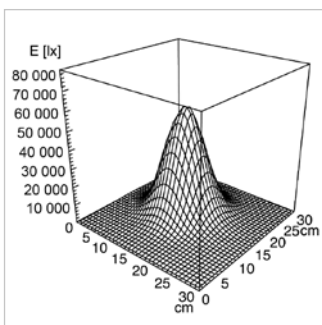
TECHNICAL DATA

FITTED WITH	1 × LED module
LUMINOUS POWER	60 000 lux / 0.5 m *
LIGHTING FIELD 0.5 m	Ø 21 cm *
COLOR RENDERING INDEX	CRI > 95
COLOR TEMPERATURE	3 500 K & 4 500 K *
OPERATION EQUIPMENT	Electronic converter
VOLTAGE	100-240 V; 50/60 Hz
CORD LENGTH	1,8 m
LUMINAIRE BODY	Polycarbonate & Acrylonitrile-butadiene-styrene-copolymer(PC & ABS)
WEIGHT (NET)	2,0 kg
POWER CONSUMPTION	21 W
USAGE	Touch panel on light head
BALANCE OF ARTICULATION JOINTS	Spring
CLASS OF PROTECTION	II
PROTECTION RATING	IP 20
STANDARDS MET	EN 60601-1, EN 60601-2-41
SPECIAL FEATURES	2 color temperatures, 4 dimming levels, rotary joint (360° turn-over axis)
MOUNTING	Mounting pin (Ø 16 mm)
ACCESSORIES	Rolling floor stand, rail mount with removal guard, table clamp with removal guard, universal mount with removal guard, wall mount with removal guard
ORDER NUMBER	D15.451.000-00633107 - pure white - Euro D15.456.000-00678230 - pure white - UK

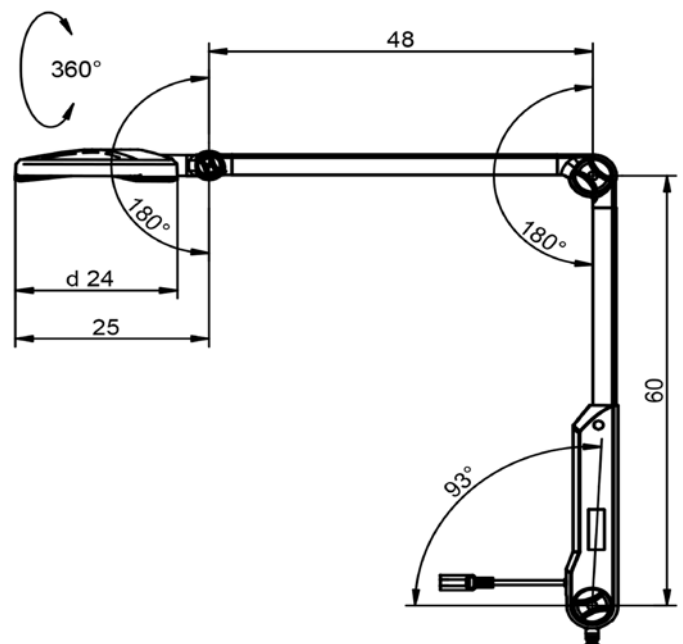
EXAMINATION LIGHTS



LIGHT DISTRIBUTION



TECHNICAL DRAWING



VISIANO 10-1 P S10

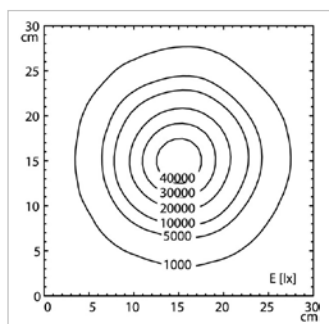
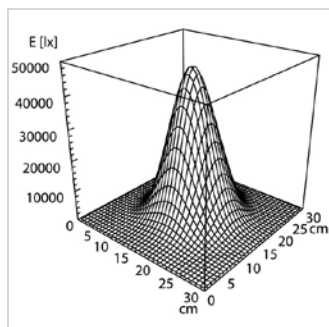
TECHNICAL DATA

FITTED WITH	1 × LED module
LUMINOUS POWER	50 000 lux / 0.5 m *
LIGHTING FIELD 0.5 m	Ø 18 cm *
COLOR RENDERING INDEX	CRI > 93
COLOR TEMPERATURE	4 400 K *
OPERATION EQUIPMENT	Electronic converter
VOLTAGE	100-240 V; 50/60 Hz
CORD LENGTH	1,8 m
LUMINAIRE BODY	polybutylene terephthalate + polycarbonate PBT + PC
WEIGHT (NET)	1,1 kg
POWER CONSUMPTION	13 W
USAGE	Rocker switch (I/O) on arm
BALANCE OF ARTICULATION JOINTS	Friction
CLASS OF PROTECTION	II
PROTECTION RATING	IP 20
STANDARDS MET	EN 60601-1, EN 60601-2-41
SPECIAL FEATURES	with handle
MOUNTING	Mounting pin (Ø 16 mm)
ACCESSORIES	Rolling floor stand, rail mount with removal guard, table clamp with removal guard, universal mount with removal guard, extension arm with removal guard, wall mount with removal guard
ORDER NUMBER	D15.732.000-00689628 - pure white - Euro D15.756.000-00712490 - pure white - UK

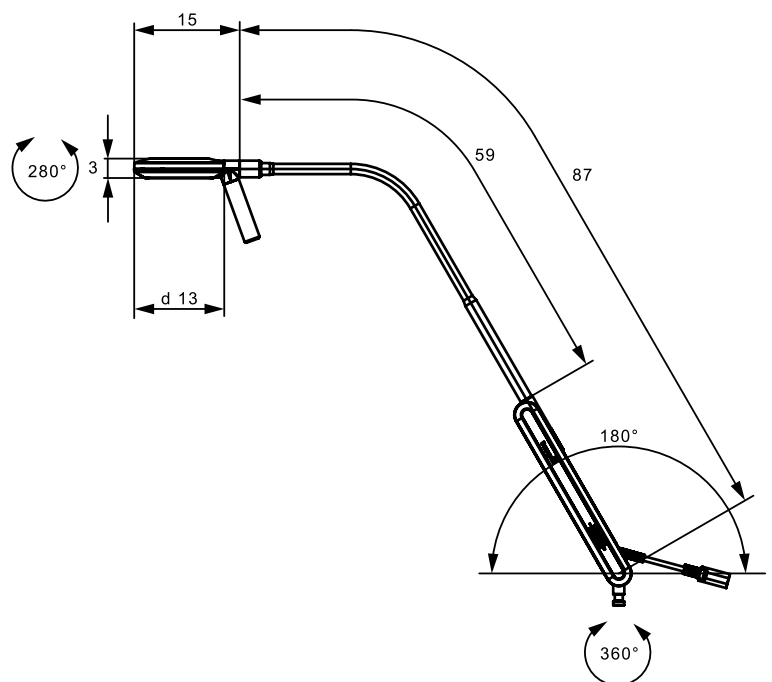
EXAMINATION LIGHTS



LIGHT DISTRIBUTION



TECHNICAL DRAWING



HALUX N50-3 P FX

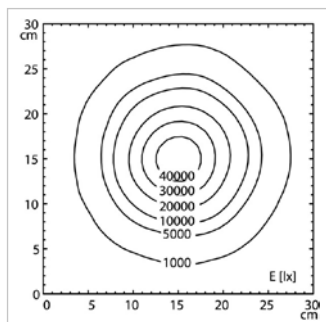
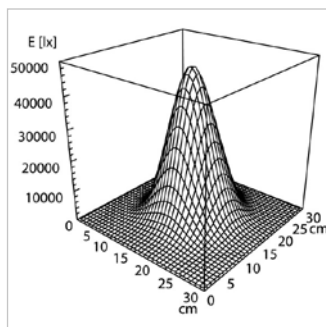
TECHNICAL DATA

FITTED WITH	1 × LED module
LUMINOUS POWER	50 000 lux / 0.5 m *
LIGHTING FIELD 0.5 m	Ø 18 cm (7.1 in.) *
COLOR RENDERING INDEX	CRI > 93
COLOR TEMPERATURE	3 300 K / 3 800 K / 4 400 K *
OPERATION EQUIPMENT	Electronic converter
VOLTAGE	100-240 V; 50/60 Hz
CORD LENGTH	1.8 m (10 ft.)
LUMINAIRE BODY	Polycarbonate (PC) & acrylonitrile butadiene styrene copolymer (ABS)
WEIGHT (NET)	1.3 kg (2.9 lbs.)
POWER CONSUMPTION	18 W
USAGE	Touch panel on light head
BALANCE OF ARTICULATION JOINTS	Spring (weight compensation)
CLASS OF PROTECTION	II
PROTECTION RATING	IP 20
STANDARDS MET	EN 60601-1, EN 60601-2-41
SPECIAL FEATURES	3 color temperatures, 5 dimming levels, maintenance-free
MOUNTING	Mounting pin (Ø 16 mm)
ACCESSORIES	Rolling floor stand, rail mounting with removal guard, table clamp with removal guard, universal mount with removal guard, extension arm with removal guard, wall mount with removal guard
ORDER NUMBER	D16.013.000-00806682 - pure white -Euro D16.038.000-00806686 - pure white - UK

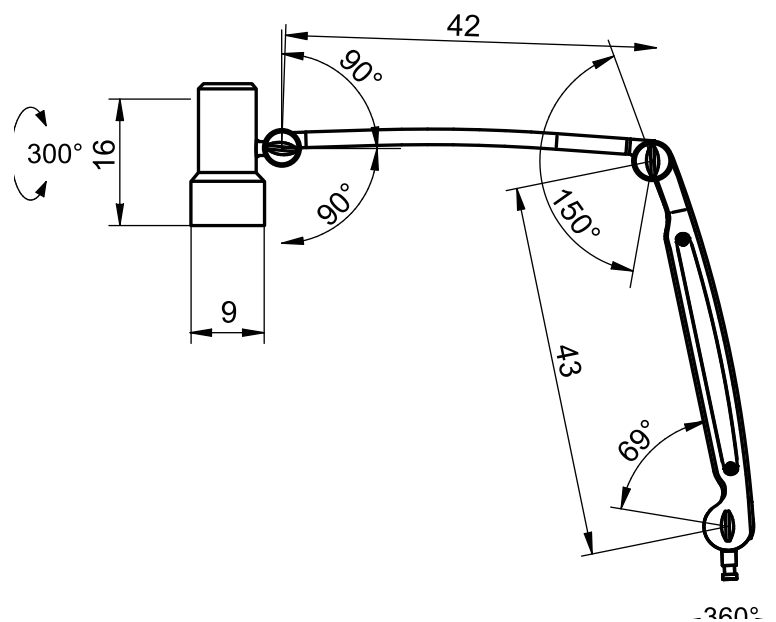
EXAMINATION LIGHTS



LIGHT DISTRIBUTION



TECHNICAL DRAWING



HALUX N50-1 P FX

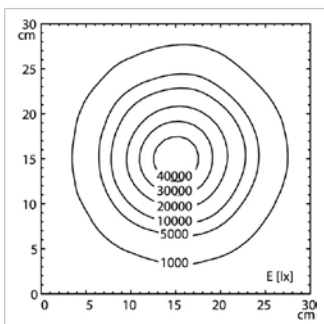
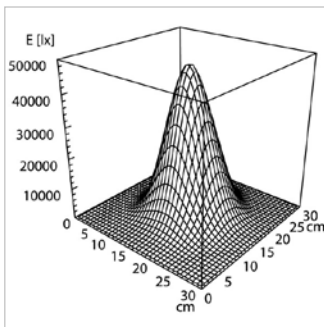
TECHNICAL DATA

FITTED WITH	1 × LED module
LUMINOUS POWER	50 000 lux / 0.5 m *
LIGHTING FIELD 0.5 m	Ø 18 cm (7.1 in.) *
COLOR RENDERING INDEX	CRI > 93
COLOR TEMPERATURE	4 400 K *
OPERATION EQUIPMENT	Electronic converter
VOLTAGE	100-240 V; 50/60 Hz
CORD LENGTH	1.8 m (10 ft.) *
LUMINAIRE BODY	Polycarbonate (PC) & acrylonitrile butadiene styrene copolymer (ABS)
WEIGHT (NET)	1.3 kg (2.9 lbs.)
POWER CONSUMPTION	13 W
USAGE	Rocker switch (I/O) on arm
BALANCE OF ARTICULATION JOINTS	Spring (weight compensation)
CLASS OF PROTECTION	II
PROTECTION RATING	IP 20
STANDARDS MET	EN 60601-1, EN 60601-2-41
SPECIAL FEATURES	Switchable, maintenance-free
MOUNTING	Mounting pin (Ø 16 mm)
ACCESSORIES	Rolling floor stand, rail mounting with removal guard, table clamp with removal guard, universal mount with removal guard, extension arm with removal guard, wall mount with removal guard
ORDER NUMBER	D16.012.000-00806681 - pure white - Euro D16.037.000-00806685 - pure white - UK

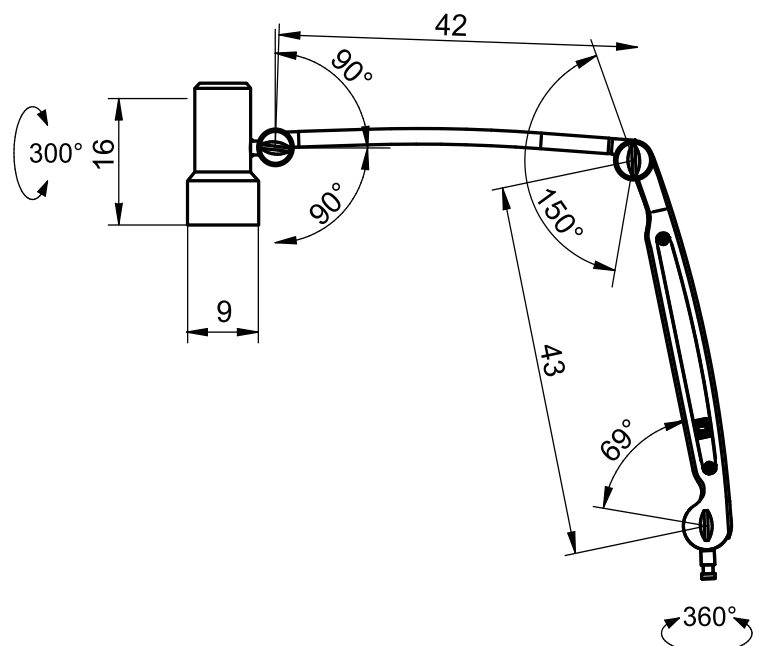
EXAMINATION LIGHTS



LIGHT DISTRIBUTION



TECHNICAL DRAWING



HALUX N50-3 P SX

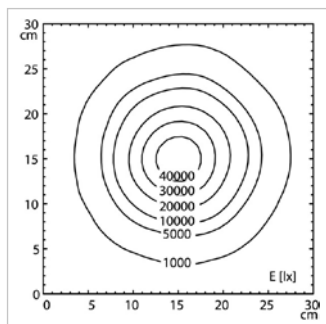
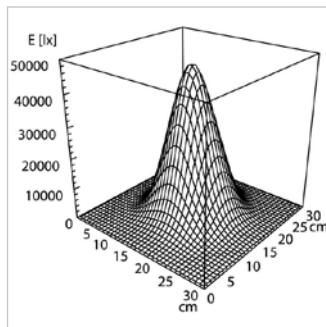
TECHNICAL DATA	
FITTED WITH	1 × LED module
LUMINOUS POWER	50 000 lux / 0.5 m *
LIGHTING FIELD 0.5 m	Ø 18 cm (7.1 in.) *
COLOR RENDERING INDEX	CRI > 93
COLOR TEMPERATURE	3 300 K / 3 800 K / 4 400 K*
OPERATION EQUIPMENT	Electronic converter
VOLTAGE	100-240 V; 50/60 Hz
CORD LENGTH	1.8 m (10 ft.) *
LUMINAIRE BODY	Polycarbonate (PC) & acrylonitrile butadiene styrene copolymer (ABS)
WEIGHT (NET)	1.3 kg (2.9 lbs.)
POWER CONSUMPTION	18 W
USAGE	Touch panel on light head
BALANCE OF ARTICULATION JOINTS	Friction
CLASS OF PROTECTION	II
PROTECTION RATING	IP 20
STANDARDS MET	EN 60601-1, EN 60601-2-41
SPECIAL FEATURES	3 color temperatures, 5 dimming levels, maintenance-free
MOUNTING	Mounting pin (Ø 16 mm)
ACCESSORIES	Rolling floor stand, rail mounting with removal guard, table clamp with removal guard, universal mount with removal guard, extension arm with removal guard, wall mount with removal guard

EXAMINATION LIGHTS

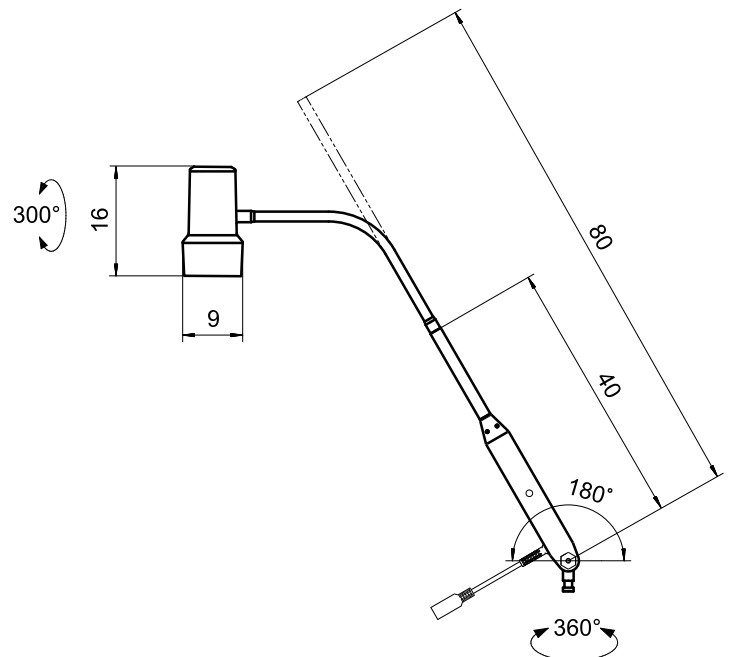


	General examination (combinable with accessories)	Connection to gynaecology chair (incl. rail clamp with brake function)	Order No.
HALUX N50-3 P SX	X		D16.011.000-00806680 - pure white - Euro D16.036.000-00806684 - pure white - UK
HALUX N50-3 P SX Gyn.		X	D16.157.000-00809568 - pure white - Euro

LIGHT DISTRIBUTION



TECHNICAL DRAWING



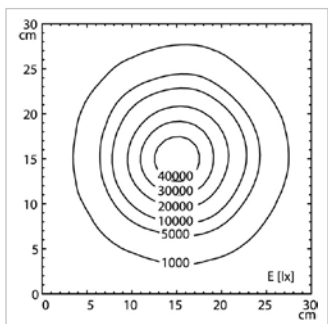
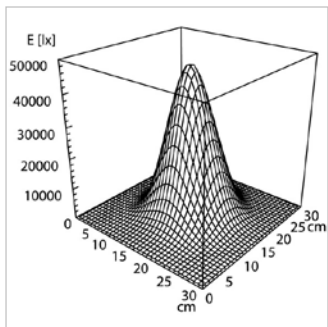
HALUX N50-1 P SX

TECHNICAL DATA	
FITTED WITH	1 × LED module
LUMINOUS POWER	50 000 lux / 0.5 m *
LIGHTING FIELD 0.5 m	Ø 18 cm (7.1 in.) *
COLOR RENDERING INDEX	CRI > 93
COLOR TEMPERATURE	4 400 K *
OPERATION EQUIPMENT	Electronic converter
VOLTAGE	100-240 V; 50/60 Hz
CORD LENGTH	1.8 m (10 ft.) *
LUMINAIRE BODY	Polycarbonate (PC) & acrylonitrile butadiene styrene copolymer (ABS)
WEIGHT (NET)	1.3 kg (2.9 lbs.)
POWER CONSUMPTION	13 W
USAGE	Rocker switch (I/O) on arm
BALANCE OF ARTICULATION JOINTS	Friction
CLASS OF PROTECTION	II
PROTECTION RATING	IP 20
STANDARDS MET	EN 60601-1, EN 60601-2-41
SPECIAL FEATURES	Switchable, maintenance-free
MOUNTING	Mounting pin (Ø 16 mm)
ACCESSORIES	Rolling floor stand, rail mount with removal guard, table clamp with removal guard, universal mount with removal guard, extension arm with removal guard, wall mount with removal guard
ORDER NUMBER	D16.010.000-00806679 - pure white - Euro D16.035.000-00806683 - pure white - UK

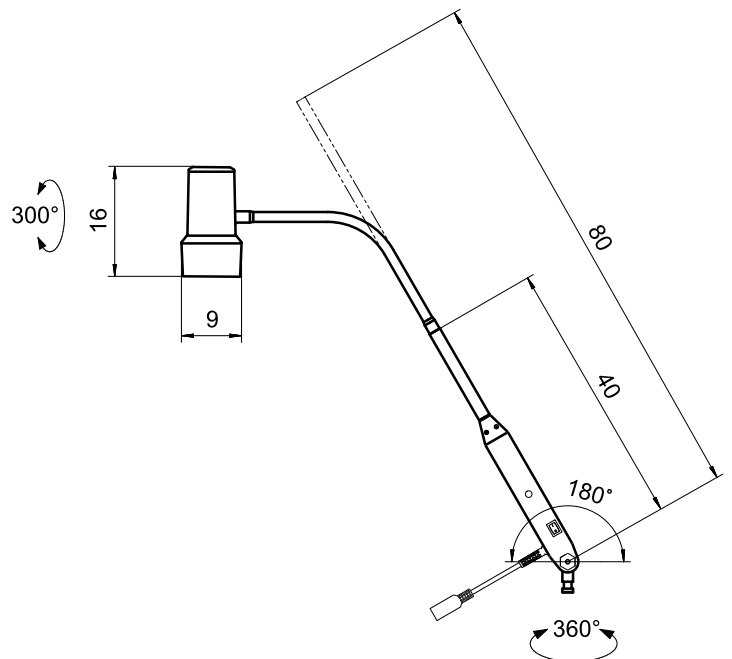
EXAMINATION LIGHTS



LIGHT DISTRIBUTION



TECHNICAL DRAWING



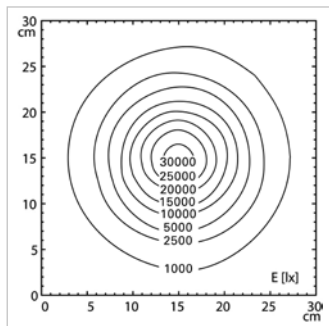
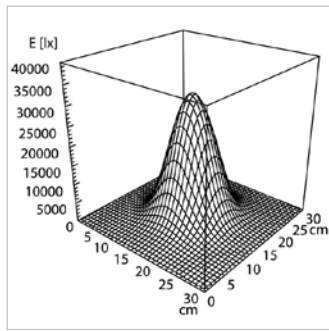
HALUX N30-1 P F1

TECHNICAL DATA	
FITTED WITH	1 × LED module
LUMINOUS POWER	30 000 lux / 0.5 m *
LIGHTING FIELD 0.5 m	Ø 18 cm (7.1 in.) *
COLOR RENDERING INDEX	CRI > 93
COLOR TEMPERATURE	4 400 K *
OPERATION EQUIPMENT	Plug-in power supply
VOLTAGE	100-240 V; 50/60 Hz
CORD LENGTH	1.7 m (5.6 ft.)
LUMINAIRE BODY	Polycarbonate (PC) & acrylonitrile butadiene styrene copolymer (ABS)
WEIGHT (NET)	1.1 kg (2.4 lbs)
POWER CONSUMPTION	8 W
USAGE	Push button on light head
BALANCE OF ARTICULATION JOINTS	Friction
CLASS OF PROTECTION	II
PROTECTION RATING	IP 20
STANDARDS MET	EN 60601-1, EN 60601-2-41
SPECIAL FEATURES	Continuously dimmable, maintenance-free, spring arm
MOUNTING	Mounting pin (Ø 16 mm)
ACCESSORIES	Rolling floor stand, rail mount with removal guard, table clamp with removal guard, universal mount with removal guard, extension arm with removal guard, wall mount with removal guard
ORDER NUMBER	D15.994.000-00806677 - pure white - EU, UK, US, AUS

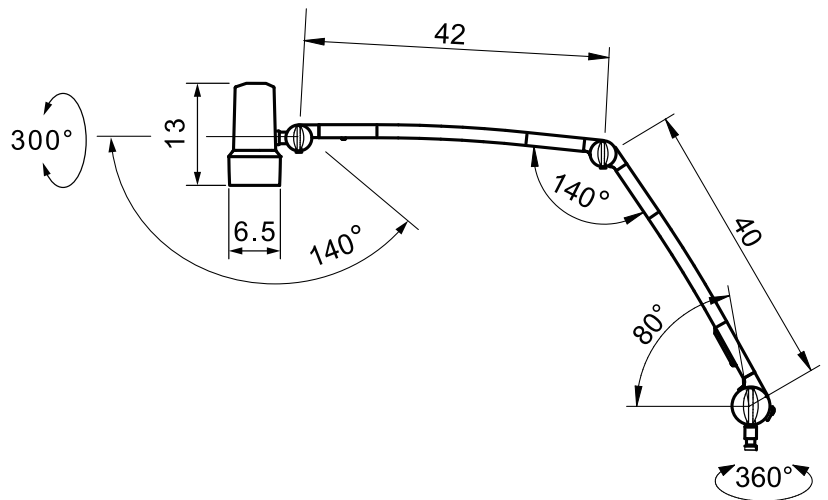
EXAMINATION LIGHTS



LIGHT DISTRIBUTION



TECHNICAL DRAWING



HALUX N30-1 P SGV Gyn

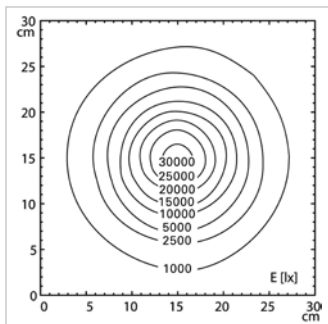
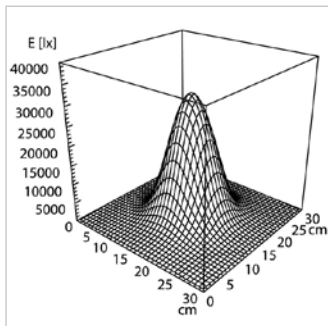
TECHNICAL DATA

FITTED WITH	1 × LED module
LUMINOUS POWER	30 000 lux / 0.5 m *
LIGHTING FIELD 0.5 m	Ø 18 cm (7.1 in.) *
COLOR RENDERING INDEX	CRI > 93
COLOR TEMPERATURE	4 400 K *
OPERATION EQUIPMENT	Plug-in power supply
VOLTAGE	100-240 V; 50/60 Hz
CORD LENGTH	3.0 m (9.8 ft.)
LUMINAIRE BODY	Polycarbonate (PC) & acrylonitrile butadiene styrene copolymer (ABS)
WEIGHT (NET)	1.3 kg
POWER CONSUMPTION	8 W
USAGE	Push button on light head
BALANCE OF ARTICULATION JOINTS	Friction
CLASS OF PROTECTION	II
PROTECTION RATING	IP 20
STANDARDS MET	EN 60601-1, EN 60601-2-41
SPECIAL FEATURES	Dimmable, maintenance-free, joint at the foot. Rail fastening with removal protection and brake function
MOUNTING	Mounting pin (Ø 16 mm)
ORDER NUMBER	D16.156.000-00809567 - pure white - EU, UK, US, AUS

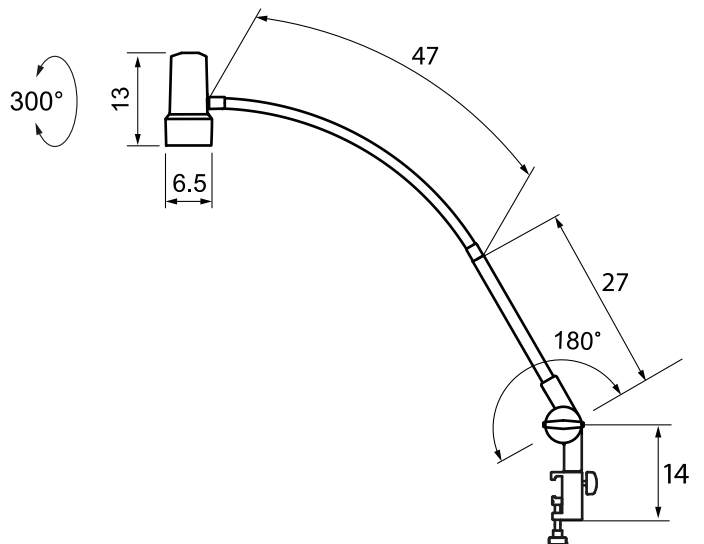
EXAMINATION LIGHTS



LIGHT DISTRIBUTION



TECHNICAL DRAWING



HALUX N30-1 P SG

TECHNICAL DATA

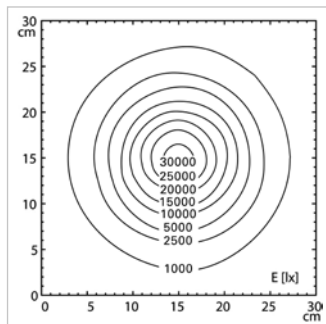
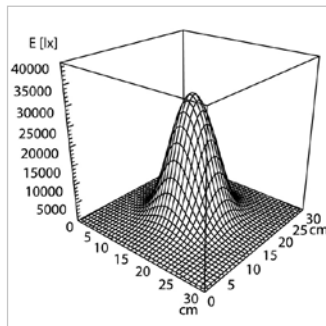
FITTED WITH	1 × LED module
LUMINOUS POWER	30 000 lux / 0.5 m *
LIGHTING FIELD 0.5 m	Ø 18 cm (7.1 in.) *
COLOR RENDERING INDEX	CRI > 93
COLOR TEMPERATURE	4 400 K *
OPERATION EQUIPMENT	Plug-in power supply
VOLTAGE	100-240 V; 50/60 Hz
CORD LENGTH	1.7 m (5.6 ft.)
LUMINAIRE BODY	Polycarbonate (PC) & acrylonitrile butadiene styrene copolymer (ABS)
WEIGHT (NET)	1.6 kg (3.5 lbs.)
POWER CONSUMPTION	8 W
USAGE	Push button on light head
BALANCE OF ARTICULATION JOINTS	Friction
CLASS OF PROTECTION	II
PROTECTION RATING	IP 20
STANDARDS MET	EN 60601-1, EN 60601-2-41
SPECIAL FEATURES	Continuously dimmable, maintenance-free, joint at the foot
MOUNTING	Mounting pin (Ø 16 mm)
ACCESSORIES	Rolling floor stand, rail mounting with removal guard, table clamp with removal guard, universal mount with removal guard, extension arm with removal guard, wall mount with removal guard

EXAMINATION LIGHTS

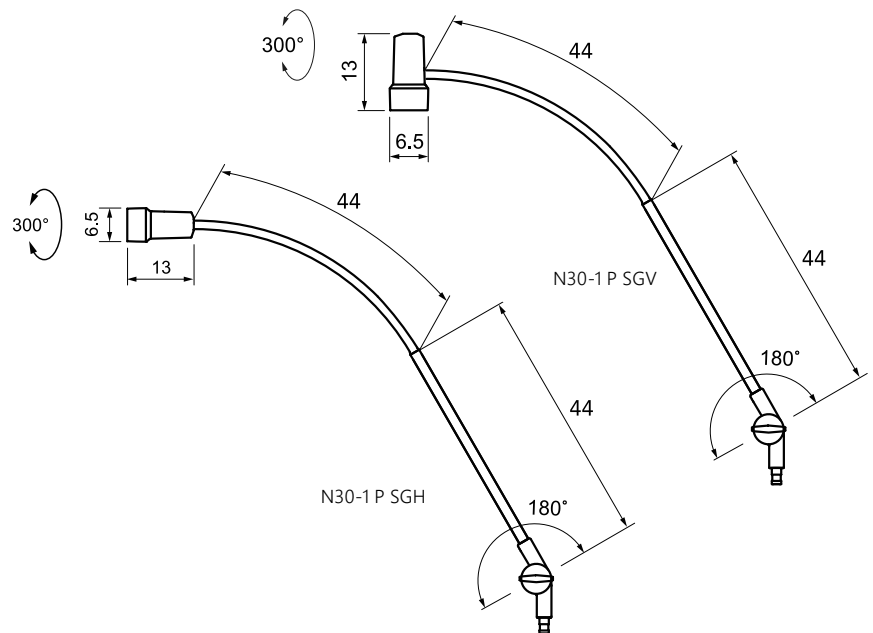


	connection horizontal	connection vertical	dimmable	Order No.
HALUX N30-1 P SGV		x	x	D15.992.000-00806675 - pure white - EU, UK, US, AUS
HALUX N30-1 P SGH	x		x	D15.993.000-00806676 - pure white - EU, UK, US, AUS

LIGHT DISTRIBUTION



TECHNICAL DRAWING



HALUX N30-1 P S

TECHNICAL DATA

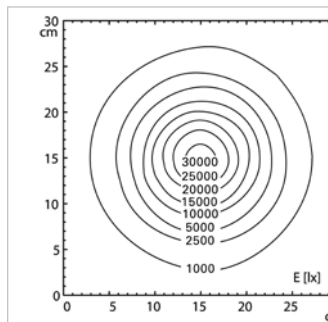
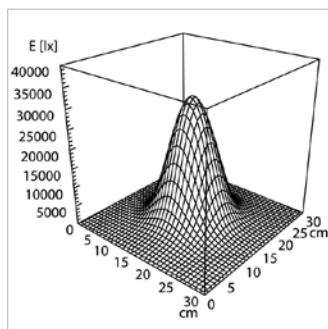
FITTED WITH	1 × LED module
LUMINOUS POWER	30 000 lux / 0.5 m *
LIGHTING FIELD 0.5 m	Ø 18 cm (7.1 in.) *
COLOR RENDERING INDEX	CRI > 93
COLOR TEMPERATURE	4 400 K *
OPERATION EQUIPMENT	Plug-in power supply
VOLTAGE	100-240 V; 50/60 Hz
CORD LENGTH	1.7 m (5.6 ft.)
LUMINAIRE BODY	Polycarbonate (PC) & acrylonitrile butadiene styrene copolymer (ABS)
WEIGHT (NET)	1.3 kg (2.9 lbs)
POWER CONSUMPTION	8 W
USAGE	Push button on light head
CLASS OF PROTECTION	II
PROTECTION RATING	IP 20
STANDARDS MET	EN 60601-1, EN 60601-2-41
SPECIAL FEATURES	Continuously dimmable, maintenance-free
MOUNTING	Mounting pin (Ø 16 mm)
ACCESSORIES	Rolling floor stand, rail mount with removal guard, table clamp with removal guard, universal mount with removal guard, extension arm with removal guard, wall mount with removal guard

EXAMINATION LIGHTS

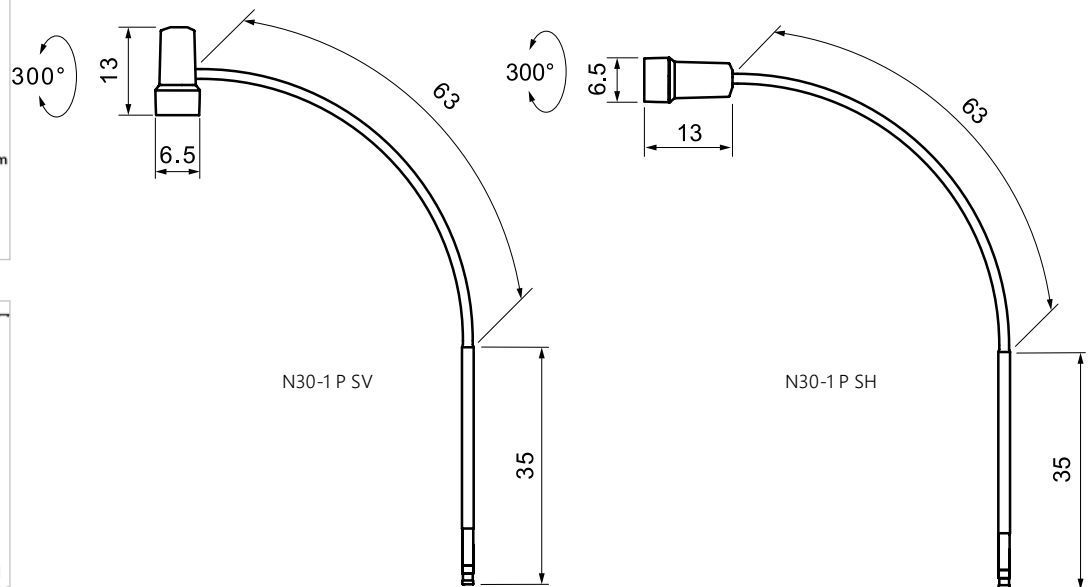


	connection horizontal	connection vertical	dimmable	Order No.
HALUX N30-1 P SV		x	x	D15.990.000-00806673 - pure white - EU, UK, US, AUS
HALUX N30-1 P SH	x		x	D15.991.000-00806674 - pure white- EU, UK, US, AUS

LIGHT DISTRIBUTION



TECHNICAL DRAWING



HALUX N30-1 F

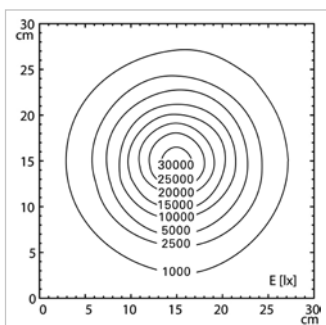
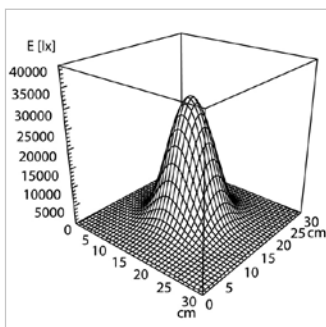
TECHNICAL DATA

FITTED WITH	1 × LED module
LUMINOUS POWER	30 000 Lux / 0,5 m *
LIGHTING FIELD 0.5 m	Ø 18 cm*
COLOR RENDERING INDEX	CRI > 93
COLOR TEMPERATURE	4 400 K *
OPERATION EQUIPMENT	Plug-in power supply
VOLTAGE	100-240 V; 50/60 Hz
CORD LENGTH	2 m
LUMINAIRE BODY	Polycarbonate (PC) & acrylonitrile butadiene styrene copolymer (ABS)
WEIGHT (NET)	4,4 kg
POWER CONSUMPTION	8 W
USAGE	Push button on light head
CLASS OF PROTECTION	II
PROTECTION RATING	IP 20
STANDARDS MET	EN 60601-1, EN 60601-2-41
SPECIAL FEATURES	Continuously dimmable, maintenance-free
MOUNTING	Roller stand
ORDER NUMBER	D16.064.000-00808869

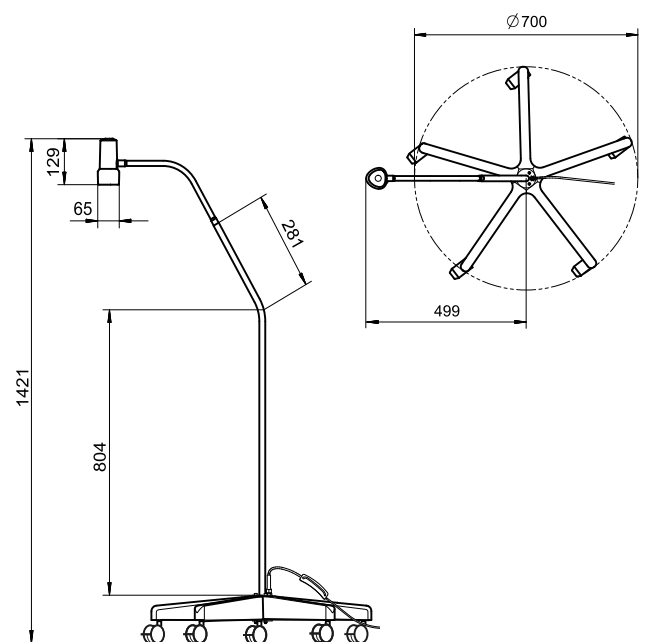
EXAMINATION LIGHTS



LIGHT DISTRIBUTION



TECHNICAL DRAWING



HALUX N30-1 Ambulance

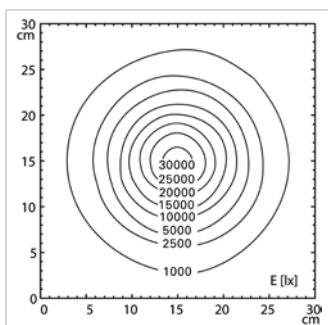
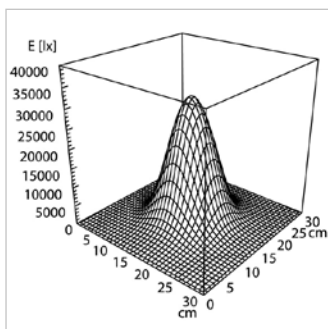
TECHNICAL DATA

FITTED WITH	1 × LED module
LUMINOUS POWER	30 000 Lux / 0,5 m *
LIGHTING FIELD 0.5 m	ø 18 cm*
COLOR RENDERING INDEX	CRI > 93
COLOR TEMPERATURE	4 400 K *
OPERATION EQUIPMENT	without
VOLTAGE	12 - 24 V DC
CORD LENGTH	1.2 m
LUMINAIRE BODY	Polycarbonate (PC) & acrylonitrile butadiene styrene copolymer (ABS)
WEIGHT (NET)	0.8 kg
POWER CONSUMPTION	8 W
USAGE	Push button on light head
CLASS OF PROTECTION	II
PROTECTION RATING	IP 20
STANDARDS MET	EN 60601-1, EN 60601-2-41
SPECIAL FEATURES	Continuously dimmable, maintenance-free
MOUNTING	Adapter C-rail
ORDER NUMBER	D16143000-00809959

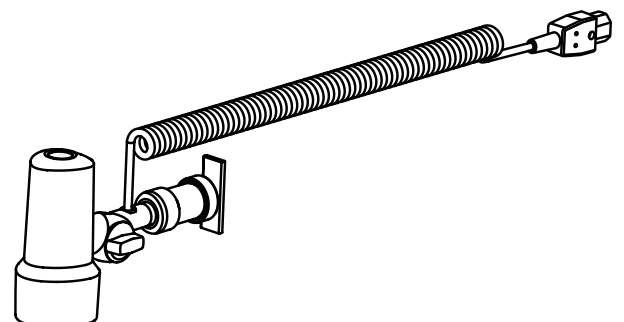
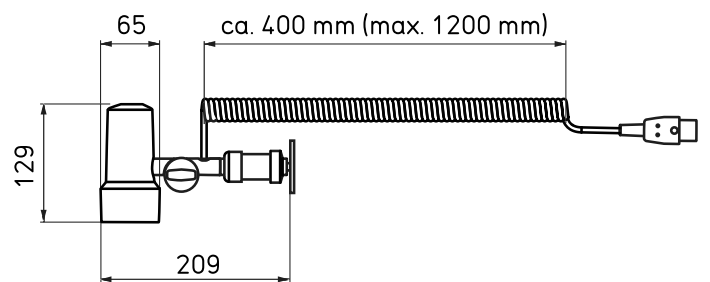
EXAMINATION LIGHTS



LIGHT DISTRIBUTION



TECHNICAL DRAWING



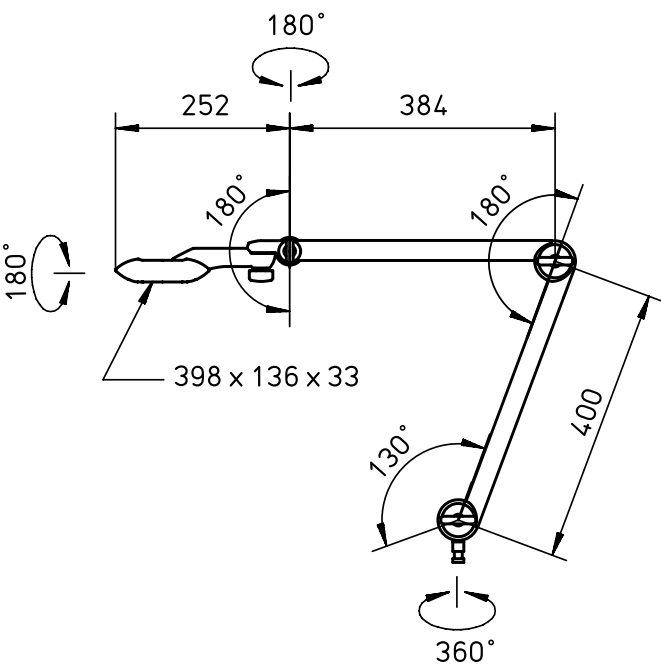
TECHNICAL DATA	
FITTED WITH	LED - Energy efficiency class A+
OPERATION EQUIPMENT	Electronic transformer
VOLTAGE	100-240 V; 50/60 Hz
CORD LENGTH	approx. 3,7 m, Power Plug CEE 7/XVI
LUMINAIRE BODY	Aluminum profile
USAGE	Multi-function switch
BALANCE OF ARTICULATION JOINTS	Spring
CLASS OF PROTECTION	II
PROTECTION RATING	IP 20
SPECIAL FEATURES	Excellent colour rendition properties
MOUNTING	Mounting pin (Ø 16 mm) incl. mounting flange (base)
ACCESSORIES	Clip-on magnifier, Rail mount with removal guard, table clamp with removal guard, universal mount with removal guard, extension arm with removal guard, wall mount with removal guard

TASK LIGHTS FOR DENTAL LABORATORIES

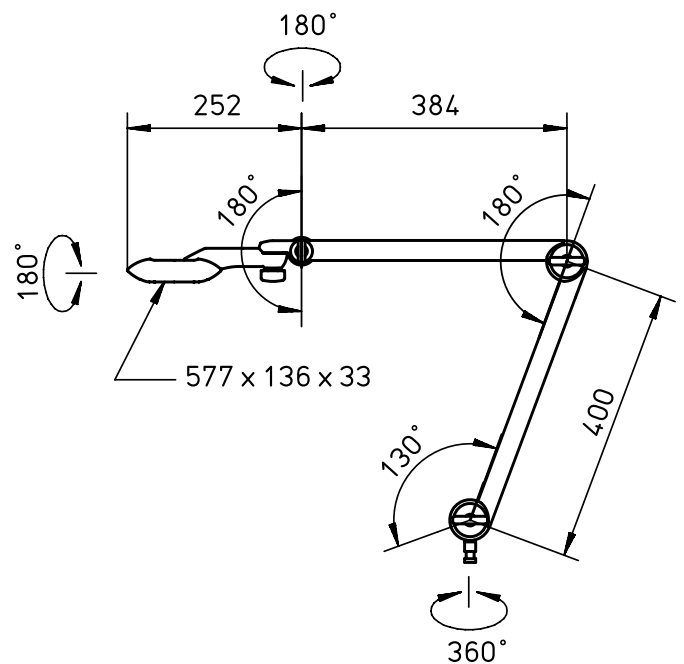


	Luminous power	Color temperature	Color rendering index	Weight	Power consumption	Width luminaire head	Order No.
TANEO Lab 23-5000	1400 lm	5000 K*	Ra > 90; R9 > 50	approx. 1.9 kg	23 Watt	398 mm	00813786
TANEO Lab 30-5000	2000 lm	5000 K*	Ra > 90; R9 > 50	approx. 2.3 kg	30 Watt	577 mm	00813785
TANEO Lab 30-tuneable white	2000 lm	3000 K - 6500 K*	Ra > 90; R9 > 50	approx. 2.3 kg	31 Watt	577 mm	00813787
TANEO Lab 38-D50	1800 lm	5000 K*	Ra > 95; R9 > 85	approx. 2.3 kg	38 Watt	577 mm	00813788

LIGHT DISTRIBUTION | TANEO Lab 23



TECHNICAL DRAWING | TANEO Lab 30 | 38-D50



OPTICLUX 10-2 C T1 (Wood's light)

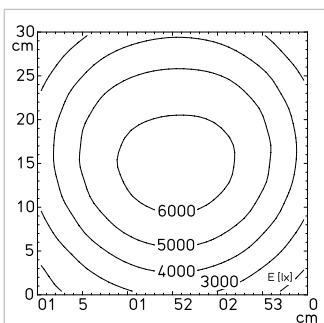
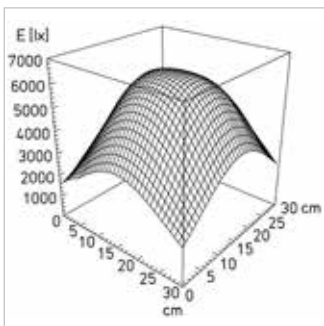
TECHNICAL DATA

FITTED WITH	1×LED module
LUMINOUS POWER	6000 lux / 0.15 m *
COLOR RENDERING INDEX	CRI > 95, R9 > 91
COLOR TEMPERATURE	6500 K * & 365 nm (Wood's light)
LENS DIMENSIONS	Ø 160 mm
LENS DIOPTERS	3,5 (approx. enlargement up to 1,9x)
LENS MATERIAL	PMMA (hardened)
OPERATION EQUIPMENT	Electronic transformer
VOLTAGE	100-240 V; 50/60 Hz
CORD LENGTH	Direct power supply
LUMINAIRE BODY	Polyamid (PA)
WEIGHT (NET)	ca. 9,1 kg
POWER CONSUMPTION	12 W
USAGE	Touch panel on light head
CLASS OF PROTECTION	I
PROTECTION RATING	IP 20
STANDARDS MET	EN 60601-1, EN 60601-2-41
SPECIAL FEATURES	Scratch-resistant plastic lens, continuously dimmable, switchable to Wood's light, rotary joint (360° turnover axis)
MOUNTING	Ceiling mount, ceiling tube can be cut on site (length: 40-116 cm)
ACCESSORIES	Intermediate ceiling adapter
ORDER NUMBER	D15.816.000-00752633 - pure white

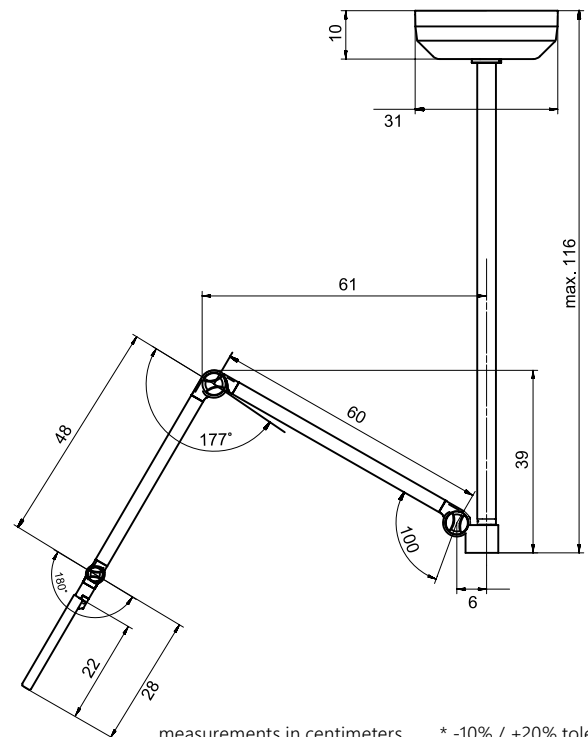
MAGNIFIER LUMINAIRE



LIGHT DISTRIBUTION



TECHNICAL DRAWING



OPTICLUX 10-1 C T1

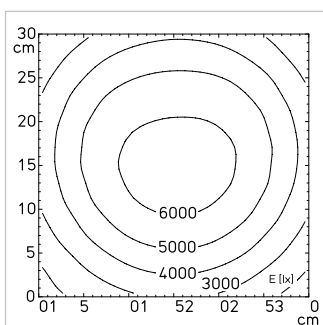
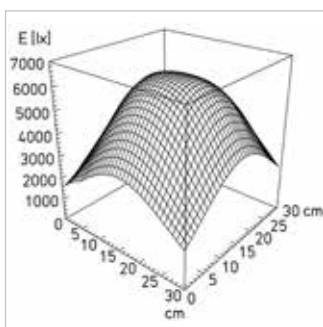
TECHNICAL DATA

FITTED WITH	1×LED module
LUMINOUS POWER	6 000 lux / 0.15 m *
COLOR RENDERING INDEX	CRI > 95, R9 > 91
COLOR TEMPERATURE	6 500 K *
LENS DIMENSIONS	Ø 160 mm
MAGNIFICATION	3,5 (approx. enlargement up to 1,9x)
LENS MATERIAL	PMMA (hardened)
OPERATION EQUIPMENT	Electronic transformer
VOLTAGE	100-240 V; 50/60 Hz
CORD LENGTH	Direct power supply
LUMINAIRE BODY	Polyamid (PA)
WEIGHT (NET)	ca. 9,1 kg
POWER CONSUMPTION	12 W
USAGE	Touch panel on light head
CLASS OF PROTECTION	I
PROTECTION RATING	IP 20
STANDARDS MET	EN 60601-1, EN 60601-2-41
SPECIAL FEATURES	Scratch-resistant plastic lens, continuously dimmable, rotary joint (360° turnover axis)
MOUNTING	Ceiling mount, ceiling tube can be cut on site (length: 40-116 cm)
ACCESSORIES	Intermediate ceiling adapter
ORDER NUMBER	D15.817.000-00752639 - pure white

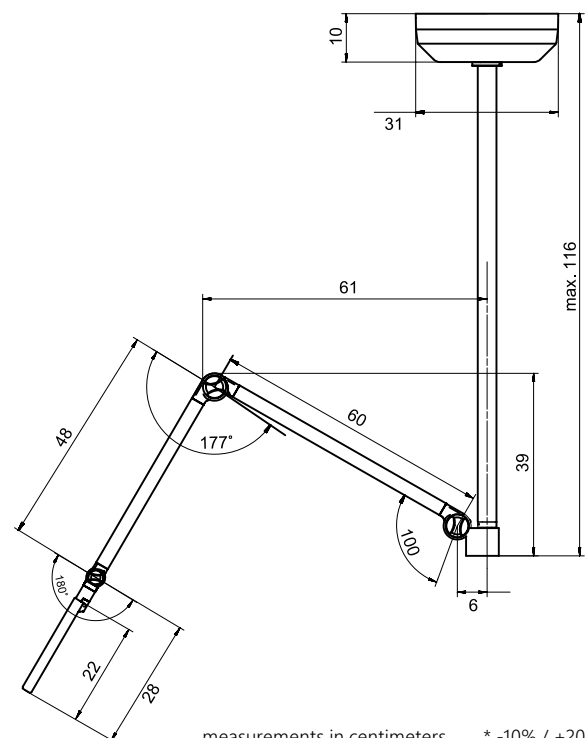
MAGNIFIER LUMINAIRE



LIGHT DISTRIBUTION



TECHNICAL DRAWING



OPTICLUX 10-2 P TX (Wood's light)

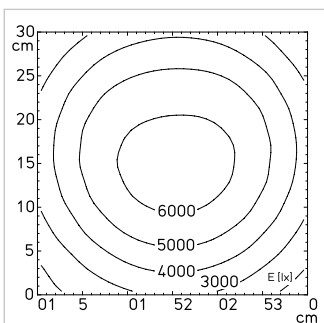
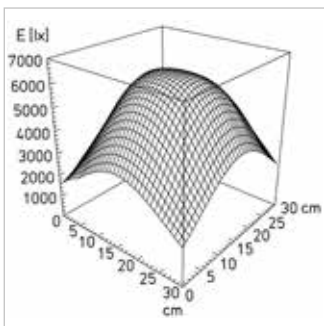
TECHNICAL DATA

FITTED WITH	1×LED module
LUMINOUS POWER	6000 lux / 0.15 m *
COLOR RENDERING INDEX	CRI > 95
COLOR TEMPERATURE	6500 K * & 365 nm (Wood's light)
LENS DIMENSIONS	Ø 160 mm
MAGNIFICATION	3,5 (approx. enlargement up to 1,9x)
LENS MATERIAL	PMMA (hardened)
OPERATION EQUIPMENT	Electronic transformer
VOLTAGE	100-240 V; 50/60 Hz
CORD LENGTH	1,8 m
LUMINAIRE BODY	Polyamid (PA)
WEIGHT (NET)	2,0 kg
POWER CONSUMPTION	12 W
USAGE	Touch panel on light head
CLASS OF PROTECTION	I
PROTECTION RATING	IP 20
STANDARDS MET	EN 60601-1, EN 60601-2-41
SPECIAL FEATURES	Scratch-resistant plastic lens, continuously dimmable, switchable to Wood's light, rotary joint (360° turnover axis)
MOUNTING	Mounting pin (Ø 16 mm)
ACCESSORIES	Rolling floor stand, rail mount with removal guard, table clamp with removal guard, universal mount with removal guard, wall mount with removal guard
ORDER NUMBER	D15.814.000-00752615 - pure white - Euro D15.851.000-00752645 - pure white - UK

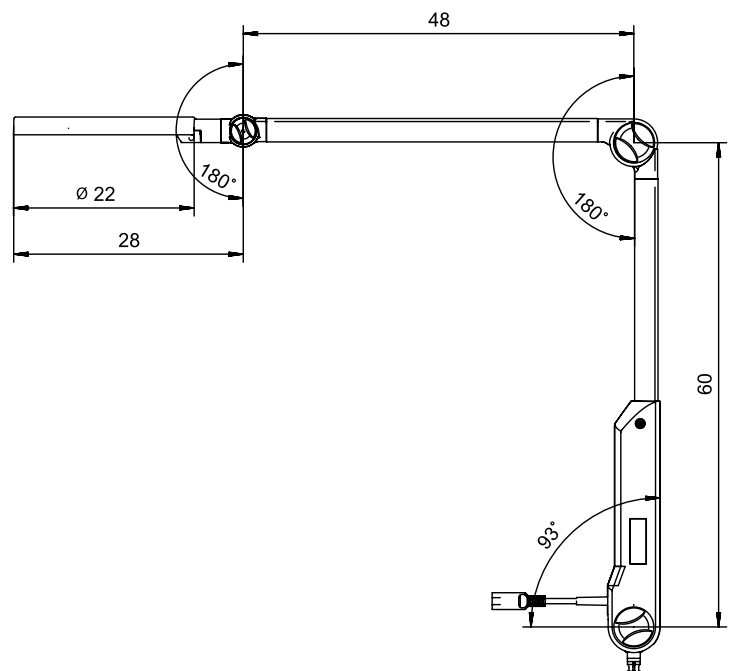
MAGNIFIER LUMINAIRE



LIGHT DISTRIBUTION



TECHNICAL DRAWING



OPTICLUX 10-1 P TX

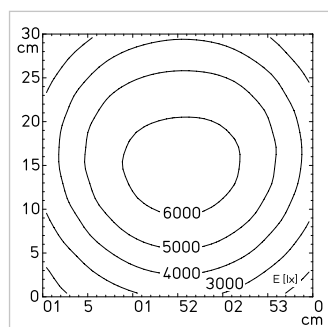
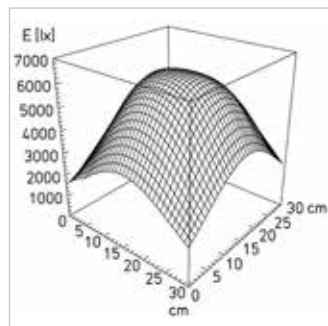
TECHNICAL DATA

FITTED WITH	1×LED module
LUMINOUS POWER	6000 lux / 0.15 m *
COLOR RENDERING INDEX	CRI > 95
COLOR TEMPERATURE	6500 K *
LENS DIMENSIONS	Ø 160 mm
MAGNIFICATION	3,5 (approx. enlargement up to 1,9x)
LENS MATERIAL	PMMA (hardened)
OPERATION EQUIPMENT	Electronic transformer
VOLTAGE	100-240 V; 50/60 Hz
CORD LENGTH	1,8 m
LUMINAIRE BODY	Polyamid (PA)
WEIGHT (NET)	2,0 kg
POWER CONSUMPTION	12 W
USAGE	Touch panel on light head
CLASS OF PROTECTION	I
PROTECTION RATING	IP 20
STANDARDS MET	EN 60601-1, EN 60601-2-41
SPECIAL FEATURES	Scratch-resistant plastic lens, continuously dimmable, rotary joint (360° turnover axis)
MOUNTING	Mounting pin (Ø 16 mm)
ACCESSORIES	Rolling floor stand, rail mount with removal guard, table clamp with removal guard, universal mount with removal guard, wall mount with removal guard
ORDER NUMBER	D15.815.000-00752618 - pure white - Euro D15.850.000-00752642 - pure white - UK

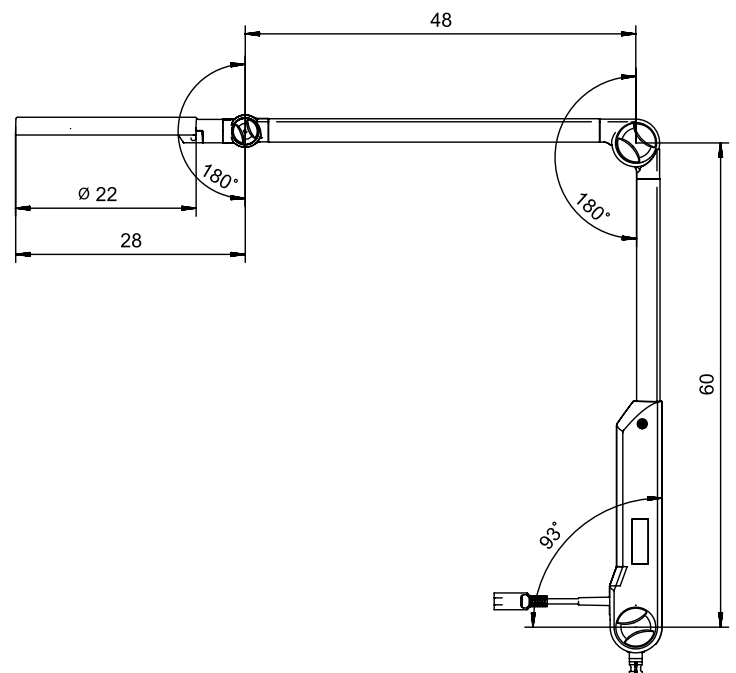
MAGNIFIER LUMINAIRE



LIGHT DISTRIBUTION



TECHNICAL DRAWING



OPTICLUX Hand 10-2 UV (Wood's light)

TECHNICAL DATA	
FITTED WITH	1×LED module
LUMINOUS POWER	8000 lux / 0.15 m *
COLOR RENDERING INDEX	CRI > 95, R9 > 93
COLOR TEMPERATURE	6500 K * & 365 nm (Wood's light)
LENS DIMENSIONS	Ø 160 mm (6.3 in) *
MAGNIFICATION	3.5 diopters (1.9X)
LENS MATERIAL	PMMA
VOLTAGE	100 - 240 V; 50 / 60 Hz
CHARGING CABLE	USB-C, 1.5 m (5 ft.)
LUMINAIRE BODY	polycarbonate (PC) & acrylonitrile butadiene styrene copolymer (ABS)
WEIGHT (NET)	0.6 kg (1.3 lb)
POWER CONSUMPTION	7 W
USAGE	Touch panel on handle
BATTERY RUNTIME	Up to 3h
CLASS OF PROTECTION	II
PROTECTION RATING	IP 20
STANDARDS MET	IEC 60601-1, IEC 60601-1-2
SPECIAL FEATURES	Ergonomic handle, scratch-resistant plastic lens, continuously dimmable, maintenance-free, switchable to Wood's light, rechargeable battery, protective cover
ACCESSORIES	Table charging station
ORDER NUMBER	D16.005.000-807073 - pure white - Euro D16.067.000-807547 - pure white - USB

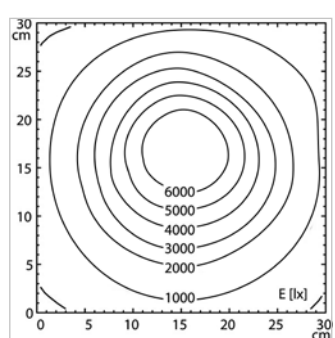
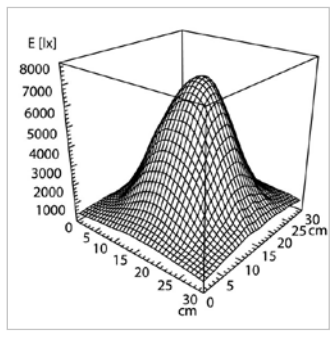
MAGNIFIER LUMINAIRE



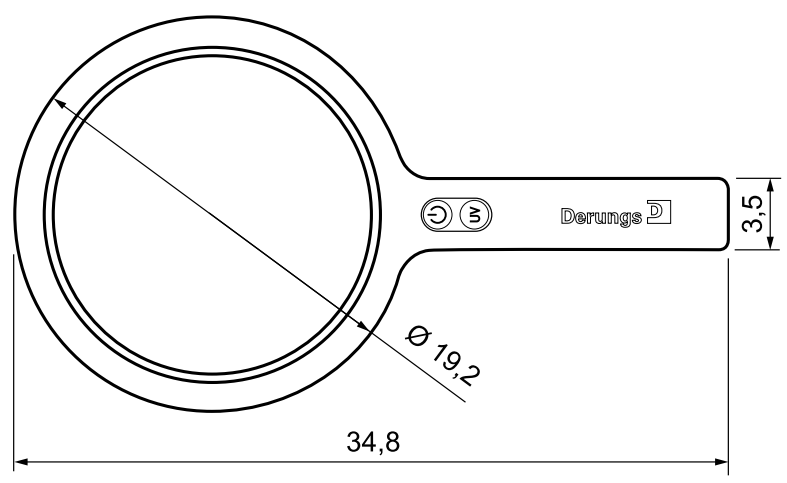
	Order No.
Opticlux Hand 10-2 UV Bundle*	D16.239.000-00814723 - Euro D16.240.000-00814724 - USB

* The bundle includes the OPTICLUX hand and the desk charging station.

LIGHT DISTRIBUTION



TECHNICAL DRAWING



OPTICLUX Hand 10-1 DL

TECHNICAL DATA	
FITTED WITH	1×LED module
LUMINOUS POWER	8 000 lux / 0.15 m *
COLOR RENDERING INDEX	CRI > 95, R9 > 93
COLOR TEMPERATURE	6 500 K *
LENS DIMENSIONS	Ø 160 mm (6.3 in) *
MAGNIFICATION	3.5 diopters (1.9X)
LENS MATERIAL	PMMA
VOLTAGE	100 - 240 V; 50 / 60 Hz
CHARGING CABLE	USB-C, 1.5 m (5 ft.)
LUMINAIRE BODY	polycarbonate (PC) & acrylonitrile butadiene styrene copolymer (ABS)
WEIGHT (NET)	0.6 kg (1.3 lb)
POWER CONSUMPTION	7 W
USAGE	Touch panel on handle
BATTERY RUNTIME	Up to 3h
CLASS OF PROTECTION	II
PROTECTION RATING	IP 20
STANDARDS MET	IEC 60601-1, IEC 60601-1-2
SPECIAL FEATURES	Ergonomic handle, scratch-resistant plastic lens, continuously dimmable, maintenance-free, rechargeable battery, protective cover
ACCESSORIES	Table charging station
ORDER NUMBER	D16.004.000-807073 - pure white - Euro D16.066.000- 807546 - pure white - USB

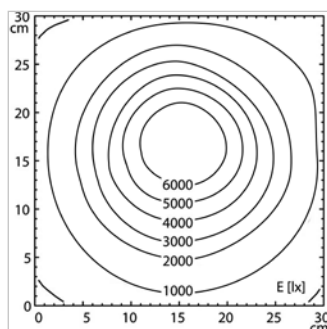
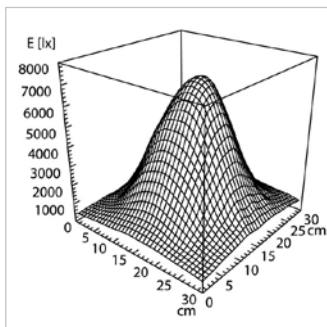
MAGNIFIER LUMINAIRE



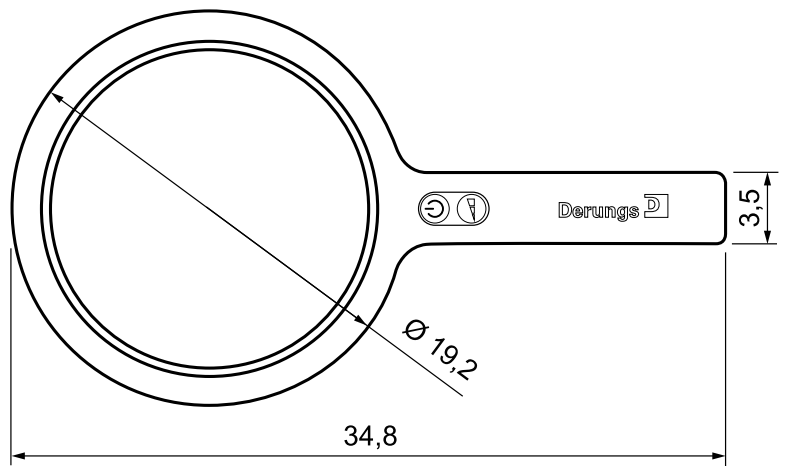
	Order No.
Opticlux Hand 10-1 DL Bundle*	D16.237.000-00814721 - Euro D16.238.000-00814722 - USB

* The bundle includes the OPTICLUX hand and the desk charging station.

LIGHT DISTRIBUTION



TECHNICAL DRAWING



AMALIA 9 P S4

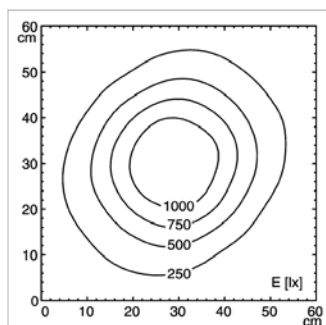
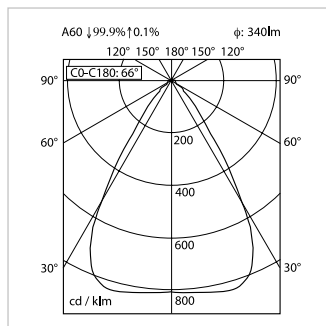
TECHNICAL DATA

FITTED WITH	1 x LED module W - D68.798.000
LUMINOUS POWER	1000 lux / 0,5 m *
LIGHTING FIELD 0.5 m	Ø 45 cm *
COLOR RENDERING INDEX	CRI > 95, R9 > 90
COLOR TEMPERATURE	3 000 K *
OPERATION EQUIPMENT	Electronic plug-in transformer
VOLTAGE	100-240 V; 50/60 Hz
CORD LENGTH	2 m Euro
LUMINAIRE BODY	PC / Aluminium, painted
WEIGHT (NET)	1,5 kg
POWER CONSUMPTION	8 W
LUMINOUS FLUX	340 lm
BALANCE OF ARTICULATION JOINTS	Friction
CLASS OF PROTECTION	II
STANDARDS MET	EN 60598-1, EN 60598-2-25
SPECIAL FEATURES	Rotary feedthrough (360° Turnover axis), Night light (LED)
MOUNTING	Mounting pin (Ø 16 mm)
ACCESSORIES	Universal bedside adapter with roll-out protection, rail fastening with removal protection, table clamp with removal protection, universal fastening with removal protection, wall bracket with removal protection Lamp decor: Foil / Rattan, Lamp shade: white
ORDER NUMBER	D15.250.000-00624990

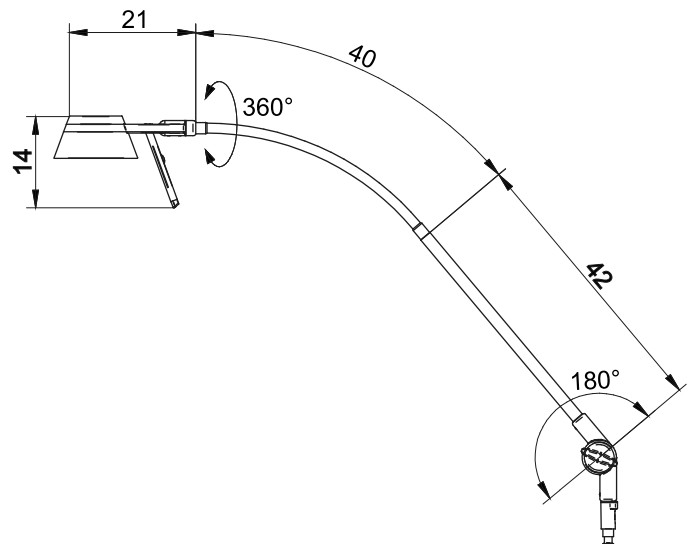
CARE AND READING LIGHTS



LIGHT DISTRIBUTION



TECHNICAL DRAWING



AMALIA 9 P S4 clinic

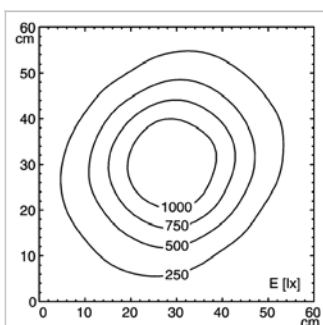
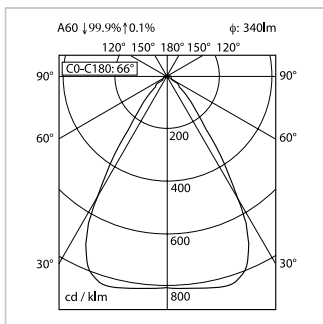
TECHNICAL DATA

FITTED WITH	1 x LED module
LUMINOUS POWER	1000 lux / 0.5 m *
LIGHTING FIELD 0.5 m	Ø 45 cm *
COLOR RENDERING INDEX	CRI > 95, R9 > 90
COLOR TEMPERATURE	3000 K *
OPERATION EQUIPMENT	Electronic plug-in transformer
VOLTAGE	100-240 V; 50/60 Hz
CORD LENGTH	2 m Euro
LUMINAIRE BODY	PC / Aluminium, painted
WEIGHT (NET)	1,5 kg
POWER CONSUMPTION	8 W
LUMINOUS FLUX	340 lm
BALANCE OF ARTICULATION JOINTS	Friction
CLASS OF PROTECTION	II
STANDARDS MET	EN 60598-1, EN 60598-2-25
SPECIAL FEATURES	Rotary feedthrough (360° Turnover axis), Night light (LED)
MOUNTING	Mounting pin (Ø 16 mm)
ACCESSORIES	Universal bedside adapter with roll-out protection, adaptation plug (CEE 7/IV;CEE 7/VII/BS 1363 A), rail fastening with removal protection, table clamp with removal protection, universal fastening with removal protection, wall bracket with removal protection, connection to Dewert bed drive control unit (on request)
ORDER NUMBER	D15.360.000-00643366 - pure white Light head and joint - white aluminum

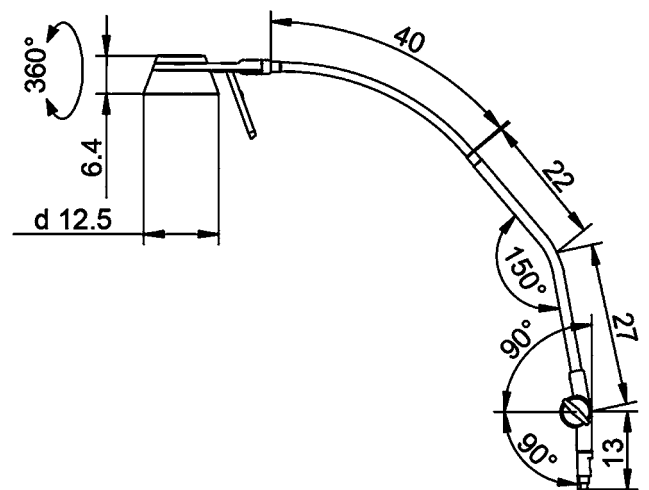
CARE AND READING LIGHTS



LIGHT DISTRIBUTION



TECHNICAL DRAWING



AMALIA 9 P S7

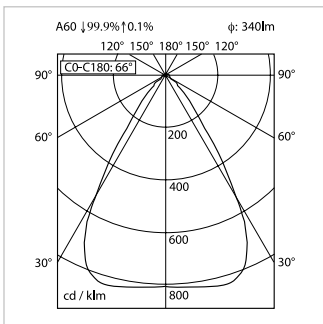
TECHNICAL DATA

FITTED WITH	1 x LED module
LUMINOUS POWER	1000 lux / 0,5 m *
LIGHTING FIELD 0.5 m	Ø 45 cm *
COLOR RENDERING INDEX	IRC > 95, R9 > 90
COLOR TEMPERATURE	3 000 K *
OPERATION EQUIPMENT	Electronic plug-in transformer
VOLTAGE	100-240 V; 50/60 Hz
CORD LENGTH	2 m Euro
LUMINAIRE BODY	PC / Aluminium, painted
WEIGHT (NET)	1,5 kg
POWER CONSUMPTION	8 W
LUMINOUS FLUX	340 lm
CLASS OF PROTECTION	II
STANDARDS MET	EN 60598-1, EN 60598-2-25
SPECIAL FEATURES	Rotary feedthrough (360° Turnover axis), Night light (LED)
MOUNTING	Mounting pin (Ø 16 mm) Universal bedside adapter with roll-out protection, rail fastening with removal protection, table clamp with removal protection, universal fastening with removal protection, wall bracket with removal protection
ACCESSORIES	Lamp decor: Foil / Rattan, Lamp shade: white
ORDER NUMBER	D15.251.000-00624993

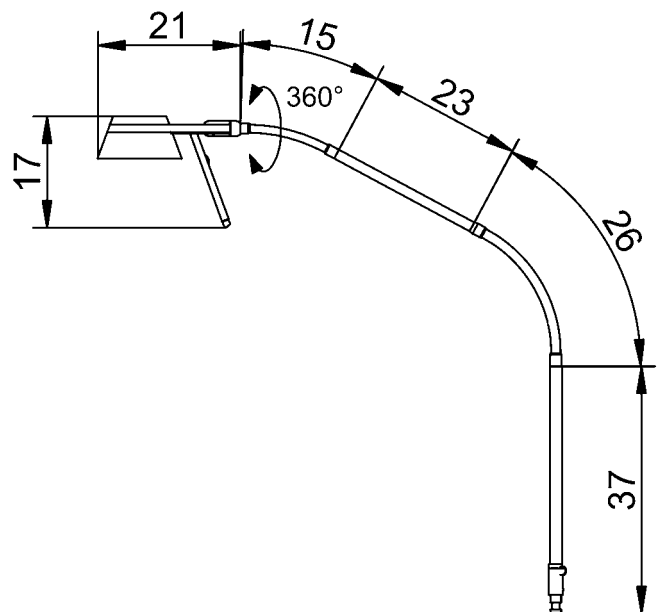
CARE AND READING LIGHTS



LIGHT DISTRIBUTION



TECHNICAL DRAWING



AMALIA 9 B S8

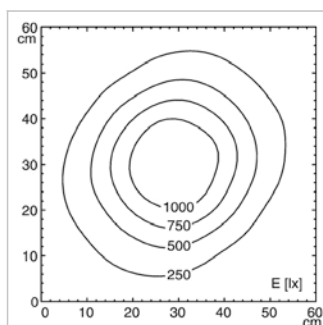
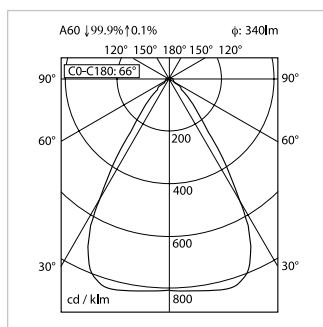
TECHNICAL DATA

FITTED WITH	1 × LED module
LUMINOUS POWER	1000 lux / 0.5 m *
LIGHTING FIELD 0.5 m	Ø 45 cm *
COLOR RENDERING INDEX	CRI > 95, R9 > 90
COLOR TEMPERATURE	3000 K *
OPERATION EQUIPMENT	Electronic plug-in transformer
VOLTAGE	100-240 V; 50/60 Hz
CORD LENGTH	2 m Euro
LUMINAIRE BODY	PC / Aluminium, painted
WEIGHT (NET)	1,5 kg
POWER CONSUMPTION	8 W
LUMINOUS FLUX	340 lm
CLASS OF PROTECTION	II
STANDARDS MET	EN 60598-1, EN 60598-2-25
SPECIAL FEATURES	Rotary feedthrough (360° Turnover axis), Night light (LED)
MOUNTING	Universal bed adapter
ACCESSORIES	Lamp decor: Foil / Rattan, Lamp shade: white
ORDER NUMBER	D15.252.000-00621729

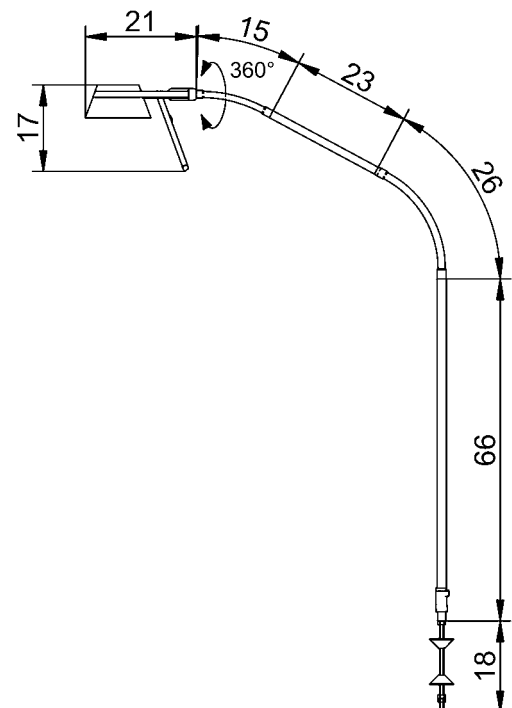
CARE AND READING LIGHTS



LIGHT DISTRIBUTION



TECHNICAL DRAWING

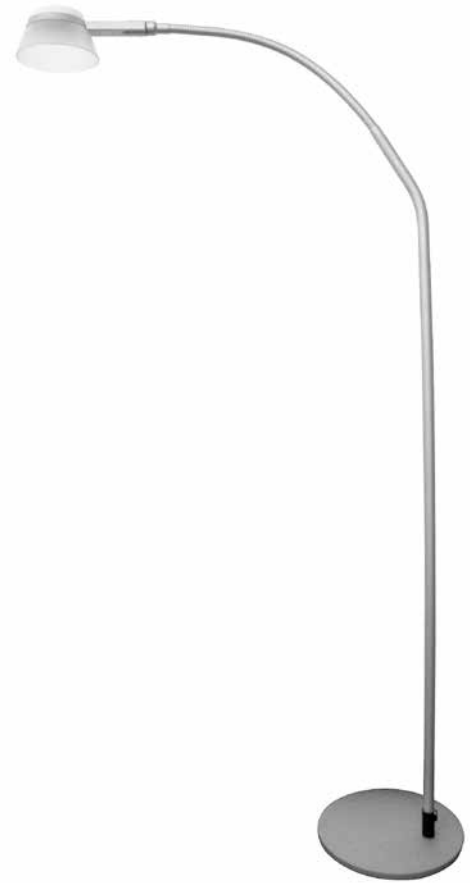


AMALIA 9 F S3 (30°)

TECHNICAL DATA

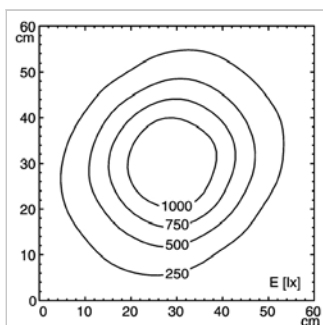
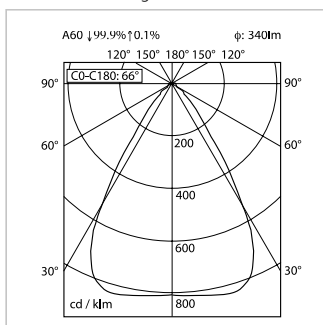
FITTED WITH	1 × LED module
LUMINOUS POWER	1000 lux / 0.5 m *
LIGHTING FIELD 0.5 m	Ø 45 cm *
COLOR RENDERING INDEX	CRI > 95, R9 > 90
COLOR TEMPERATURE	3000 K *
OPERATION EQUIPMENT	Electronic plug-in transformer
VOLTAGE	100-240 V; 50/60 Hz
CORD LENGTH	2 m Euro
LUMINAIRE BODY	PC / aluminium, painted
WEIGHT (NET)	4,9 kg
POWER CONSUMPTION	8 W
LUMINOUS FLUX	340 lm
CLASS OF PROTECTION	II
STANDARDS MET	EN 60598-1, EN 60598-2-25
SPECIAL FEATURES	Frame angled 30°, reading light and night light switched in sequence, without handgrip, rotary feed-through (360° Turnover axis)
MOUNTING	Base (floor)
ACCESSORIES	Lamp decor: Foil / Rattan, Lamp shade: white
ORDER NUMBER	D15.382.000-00635063 - white aluminum D15.383.000-00646643 - pure white

CARE AND READING LIGHTS

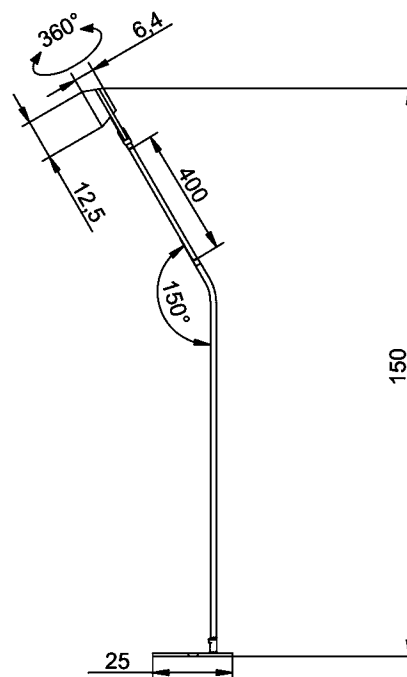


LIGHT DISTRIBUTION

Measuring distance 0.5 m



TECHNICAL DRAWING



CULTA LED S 4 P S3

TECHNICAL DATA

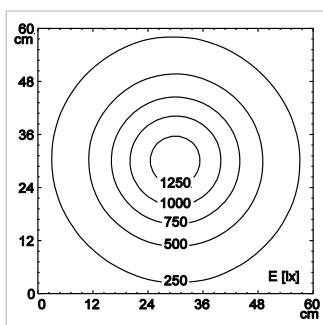
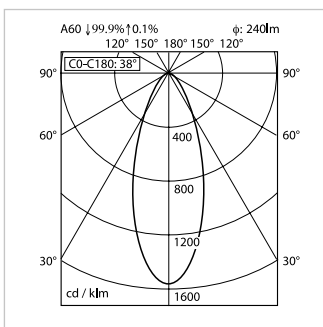
FITTED WITH	1 × LED Spotlight MR 11 D69.009.000-00686991 - 12 V
LUMINOUS POWER	1100 lux / 0.5 m *
LIGHTING FIELD 0.5 m	Ø 60 cm *
COLOR RENDERING INDEX	CRI > 80
COLOR TEMPERATURE	3000 K *
OPERATION EQUIPMENT	Electronic plug-in transformer
VOLTAGE	100-240 V; 50/60 Hz
CORD LENGTH	2 m Euro
LUMINAIRE BODY	Polycarbonate (PC), satin
WEIGHT (NET)	1,6 kg
POWER CONSUMPTION	4 W
LUMINOUS FLUX	240 lm
USAGE	Cord switch
CLASS OF PROTECTION	II
STANDARDS MET	EN 60598-1, EN 60598-2-25
SPECIAL FEATURES	Cord switch
MOUNTING	Mounting pin (Ø 16 mm)
ACCESSORIES	Lamp decor: Foil / Rattan, Lamp shade: white
ORDER NUMBER	D15.727.000-00689653

CARE AND READING LIGHTS

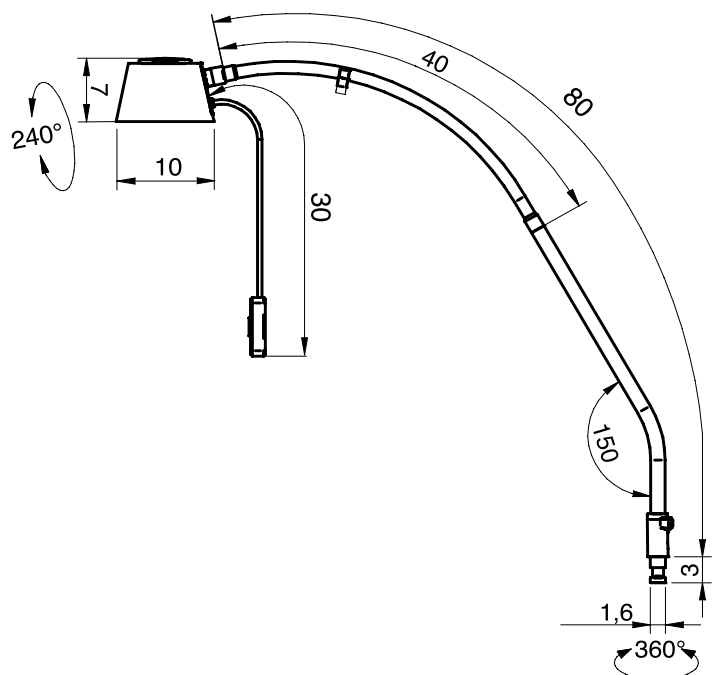


LIGHT DISTRIBUTION

Measuring distance 0.5 m



TECHNICAL DRAWING



CULTA LED S 4 B S9

TECHNICAL DATA

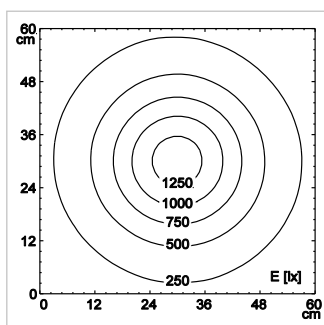
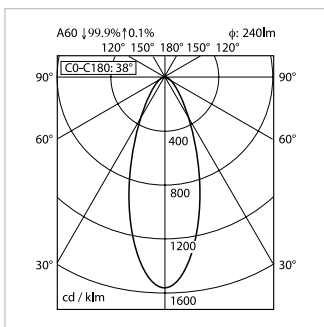
FITTED WITH	1 x LED Spotlight MR 11 D69.009.000-00686991 - 12 V
LUMINOUS POWER	1100 lux / 0.5 m *
LIGHTING FIELD 0.5 m	Ø 60 cm *
COLOR RENDERING INDEX	CRI > 80
COLOR TEMPERATURE	3000 K *
OPERATION EQUIPMENT	Electronic plug-in transformer
VOLTAGE	100-240 V; 50/60 Hz
CORD LENGTH	2 m Euro
LUMINAIRE BODY	Polycarbonate (PC), satin
WEIGHT (NET)	1,6 kg
POWER CONSUMPTION	4 W
LUMINOUS FLUX	240 lm
USAGE	Cord switch
CLASS OF PROTECTION	II
STANDARDS MET	EN 60598-1, EN 60598-2-25
SPECIAL FEATURES	Cord switch
MOUNTING	Universal bed adapter
ORDER NUMBER	D15.725.000-00689635

CARE AND READING LIGHTS

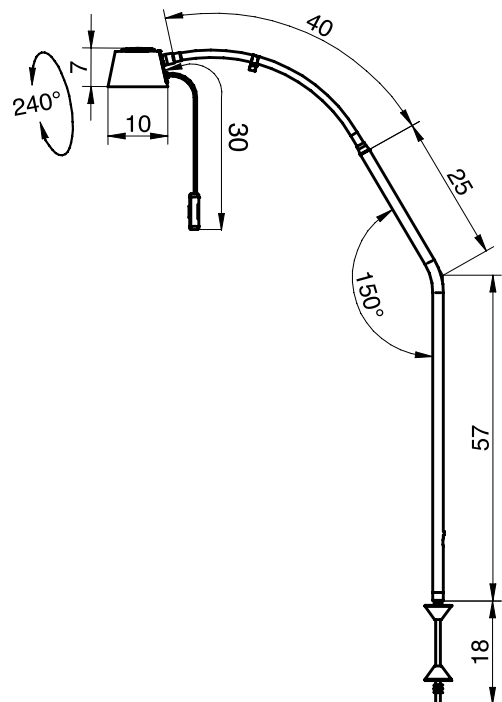


LIGHT DISTRIBUTION

Measuring distance 0.5 m



TECHNICAL DRAWING



measurements in centimeters

FASTENING HARDWARE

STANDARD 25 × 10 MM WALL RAIL SYSTEM

TECHNICAL DATA	
MATERIAL	Aluminum
FINISH	Natural-anodised
DIMENSIONS	25 × 10 mm, Length 1 m and 1,5 m
WEIGHT (NET)	2,5 kg
NORM	EN ISO 19054
ORDER NO.	D13.505.000-00647049 – Rail length 1 m, including 2 holder
	D13.506.000-00630687 – Rail length 1,5 m, including 3 holder
	D56.045.000-00647052 – Double fixtures 80 mm to Rail, compl. Project-specific lengths on request, possible up to 6 m



The Derungs Wall Rail can be fitted easily in any rooms and offers an excellent attachment for Derungs medical luminaires, accessories and other medical equipment.

This renders the luminaires, accessories and other medical equipment flexible in relation to position and they can be adapted to the relevant application. The workplace can thus be configured ergonomically and optimally for the user.

Easy slideability of the reading lights and examination lights allows flexible arrangement of the beds, thus creating more free space and greater space for other equipment at the patient's bedside.

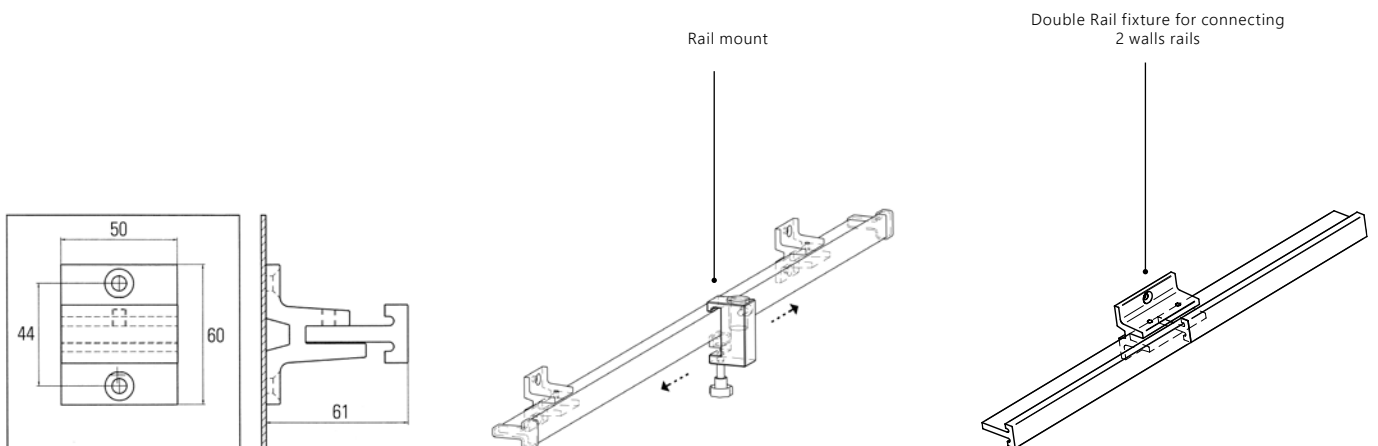
The Wall Rail can also be attached easily to other medical equipment such as medical care equipment, respiration equipment, anaesthetics workstations, mobile trolleys and beds. There are no limits to use of the Wall Rail.

The European Standard stipulates fundamen-

tal requirements in order to ensure compatibility between Rail systems and medical equipment. The rugged design of the Wall Rail allows a high loadbearing capacity. The surface of the Wall Rail is anodised and can thus be easily cleaned and protected against oxidation.

Fastening: the Wall Rail can be mounted very easily on any firm base surface.

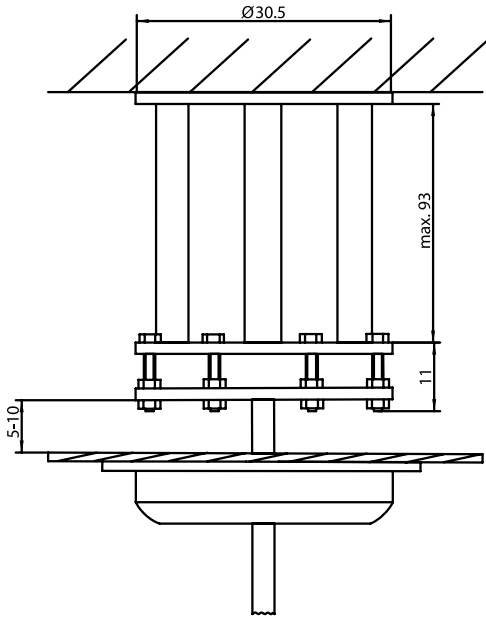
TECHNICAL DRAWING



INTERMEDIATE CEILING ADAPTER

TECHNICAL DATA

SUITABLE FOR LAMP	TRIANGO VISIANO 20-2 OPTICLUX
MATERIAL	steel
WEIGHT (NET)	28 kg
LENGTH	max. 93 cm, cutting to length on request / as necessary
ORDER NUMBER	D15.074.000-00632785

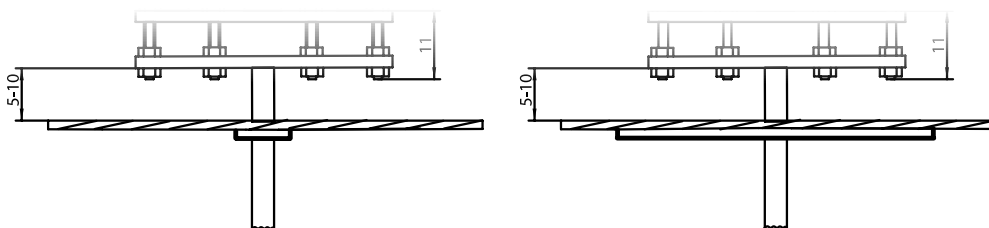


SET INTERMEDIATE CEILING COVER PLATE

NEW

TECHNICAL DATA

SUITABLE FOR LAMP	TRIANGO VISIANO 20-2 OPTICLUX
MATERIAL	Hard PVC plate
ORDER NUMBER	
$\varnothing 100$ mm	D12.853.000-00814439
$\varnothing 385$ mm	D15.378.000-00663168



BEDSIDE TABLE ADAPTER

TECHNICAL DATA

DESCRIPTION	Extension adapter on bedside table
MATERIAL	Steel, black zinc-coated
COLOR	Black
WEIGHT (NET)	0,02 kg
FOR PIN Ø	16 mm-W with removal guard
ORDER NUMBER	D14.152.000-00647311



EXTENSION ARM

TECHNICAL DATA

MATERIAL	steel
FINISH	Steel tube powder-coated
DIMENSIONS	400 mm, Ø 16 mm
WEIGHT (NET)	0,65 kg
FOR PIN Ø	16 mm-W with removal guard
LOAD CAPACITY	2,5 kg
ORDER NUMBER	D13.363.000-00647314 - pure white

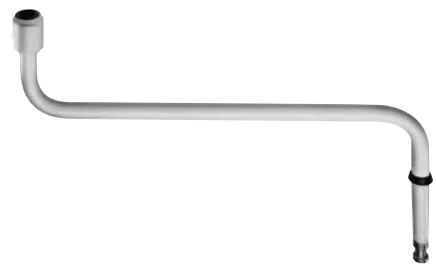


TABLE CLAMP

TECHNICAL DATA

MATERIAL	Polyamid steel
FINISH	Coated
ADJUSTABLE RANGE	0-70 mm
WEIGHT (NET)	0,350 kg
FOR PIN Ø	16 mm-W with removal guard
ORDER NUMBER	D14.228.000-00625467 - black



UNIVERSAL MOUNT

TECHNICAL DATA

MATERIAL	Polyamid GF
DIMENSIONS	60 × 60 × 60 mm
WEIGHT (NET)	0,09 kg
FOR PIN Ø	16 mm-W with removal guard
ORDER NUMBER	D13.430.000-00627986 - pure white



RAIL MOUNT

TECHNICAL DATA

MATERIAL	Aluminium
FINISH	Natural-anodised
EQUIPMENT RAIL	25-35 × 8-10 mm
WEIGHT (NET)	0,16 kg
FOR PIN Ø	16 mm-W with removal guard
ORDER NUMBER	D13.269.000-007069



RAIL MOUNT GYNAECOLOGY CHAIR

TECHNICAL DATA

MATERIAL	Aluminium
FINISH	Natural-anodised
EQUIPMENT RAIL	25-35 × 8-10 mm
WEIGHT (NET)	0,16 kg
FOR PIN Ø	16 mm-W with removal guard and brake function
ORDER NUMBER	D10.127.000-00809569



WALL MOUNT

TECHNICAL DATA

MATERIAL	Polyamid GF
WEIGHT (NET)	0,14 kg
FOR PIN Ø	16 mm-W with removal guard with cable outlet
ORDER NUMBER	D13.231.000-00522182 - pure white



WALL MOUNT (ALU)

TECHNICAL DATA

MATERIAL	Aluminium
WEIGHT (NET)	0,15 kg
DISTANCE TO THE WALL	76 mm
FOR PIN Ø	16 mm-W with removal guard with cable outlet
ORDER NUMBER	D15.435.000-00659957



TUBULAR MOUNT

TECHNICAL DATA

For round and oval profiles Ø 30 mm to 40 mm, pure white, Distance to pipe 70 mm

ORDER NUMBER	D12.313.000-00630672
--------------	----------------------



ROLLER STAND RL

TECHNICAL DATA

MATERIAL	Steel
FINISH	– Tube: white – Foot: plastic – Casters: twin plastic casters, with 5 brakes
DIMENSIONS	1,0 m, Ø 700 mm
WEIGHT (NET)	7,5 kg
FOR PIN Ø	16 mm-W with removal guard with cable suspension device
ORDER NUMBER	D15.595.000-00656247



ACCESSORIES

HANDLE

NEW

TECHNICAL DATA

ORDER NUMBER	sterilizable handle for TRIANGO 30 and TRIANGO 80	D10.295.000- 00703690
ORDER NUMBER	sterilizable handle TRIANGO 130 , TRIANGO 100 and TRIANGO 60	D10.442.000- 00802948
ORDER NUMBER	disposable cover for all TRIANGO handles 1 Pack at 100 Stk.	D15.445.000- 00714913



sterilizable
handle
TRIANGO 30/
TRIANGO 80



sterilizable
handle
TRIANGO 130,
TRIANGO 100
and
TRIANGO 60



for all
TRIANGO:
disposable
cover

OPTICLUX HAND DESK CHARGING STATION

TECHNICAL DATA

MATERIAL	Steel plate
CONNECTION CABLE	USB
WEIGHT (NET)	860g
SPECIAL FEATURES	Convertible to a wall bracket
ORDER NUMBER	D16.173.000-00814095



NEW

TANEO LAB ADDITIONAL MAGNIFYING LENS

TECHNICAL DATA	
MAGNIFICATION	3,5
SPECIAL FEATURES	easy mounting with clip
ORDER NUMBER	00575900



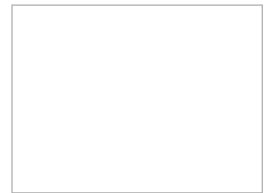
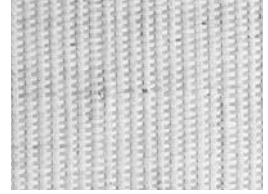
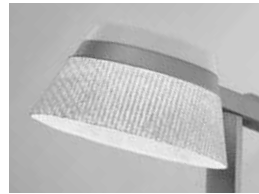
ACCESSORIES

DECOR

TECHNICAL DATA	
SUITABLE FOR LAMP	AMALIA
DECOR	Rattan
ORDER NUMBER	needed, non washable D53.718.000-00643971

SUITABLE FOR LAMP	AMALIA
DECOR	Foil
ORDER NUMBER	glued, washable D53.719.000-00646646

SUITABLE FOR LAMP	AMALIA
DECOR	white shade
ORDER NUMBER	painted, washable D53.739.000-00646649



REPLACEMENT LED BULBS

LOW-VOLT COLD-LIGHT REFLECTOR LAMP

TECHNICAL DATA	
SUITABLE FOR LAMP	CULTA LED
TECHNICAL DATA	DC/AC 12 V / 4 W / 30°
DESIGNATION	LED-Retrofit, MR11, 3000 K
ORDER NUMBER	D69.009.000-00686991

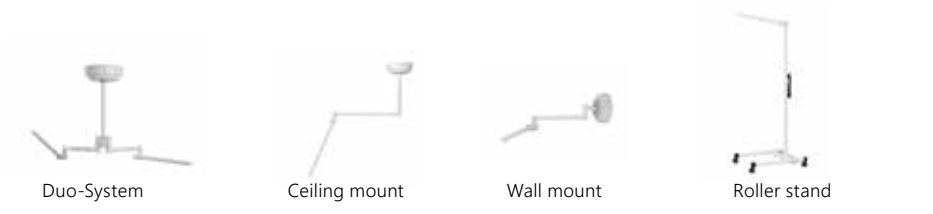


SUPPORT ARM SYSTEMS - ON REQUEST

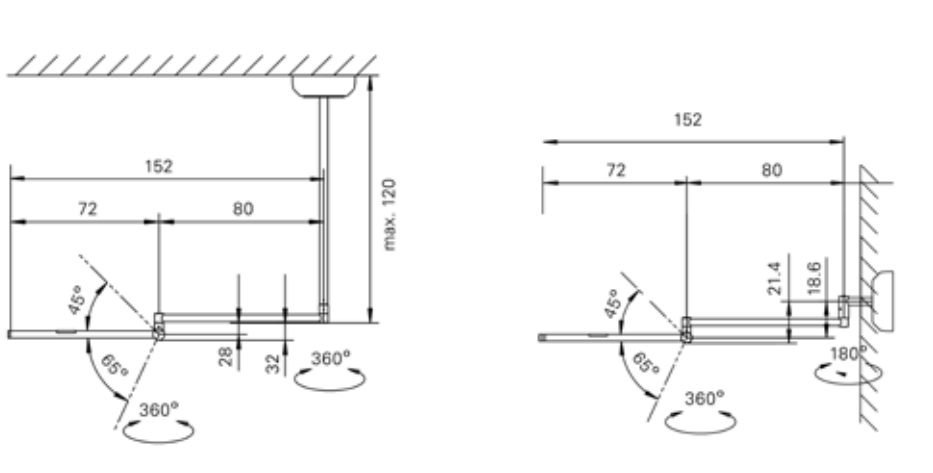
TENO – CUSTOMER SPECIFIC SOLUTIONS

TECHNICAL DATA

LENGTH - SPRING ARM TO CENTRE OF GRAVITY (MM)*	LOAD CAPACITY AT CENTRE OF GRAVITY (N)	CABLE DIAMETER MAX. (MM)
800	40	8
900	35	8
1000	30	8
1100	25	8



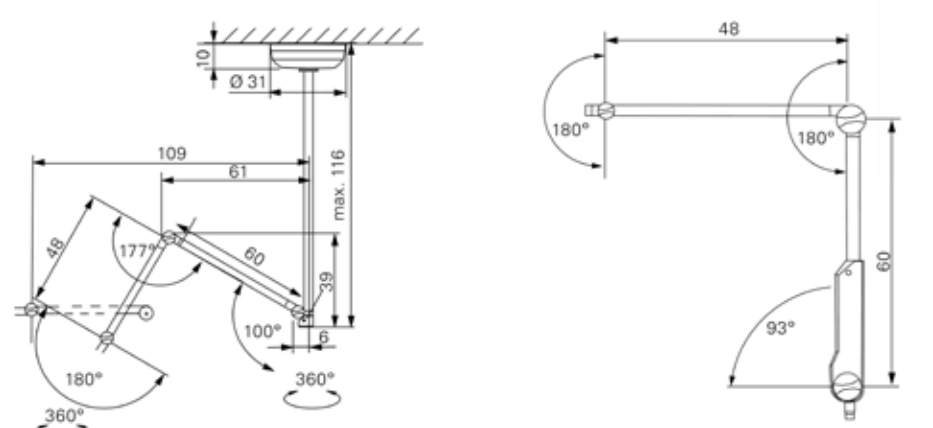
CEILING MOUNT | WALL MOUNT | ROLLER STAND



VISO - CUSTOMER SPECIFIC SOLUTIONS



CEILING MOUNT | MOUNTING PIN | ROLLER STAND



100% medical engineering



Until now, the production and distribution of the medical lighting and room luminaire portfolio has been carried out by the international subsidiaries of the Waldmann Group. On 1 January 2023, the ZERA, VIVAA 2.0 and VIVAA Ring room luminaires will become the responsibility of Herbert Waldmann GmbH & Co. KG in Villingen-Schwenningen.

In future, the Derungs team will concentrate on the development and marketing of medical luminaires for human and veterinary medicine. The portfolio includes various minor surgical lights, different examination lights as well as bedside reading lights.

The Derungs brand offers innovative lighting solutions for various medical specialities, such as hospitals, dermatology, cosmetic surgery, gynaecology, urology and general medicine, as well as for dentists and dental laboratories.

Discover the Derungs world at:
www.derungs.swiss



We are networkers



Quality management



Our awards





Consulting & distribution

Headquarter

Derungs Licht AG

Hofmattstrasse 12
9200 Gossau
Switzerland
+41 71 388 11 66
mailbox@derungs.swiss

Germany

Derungs Medical GmbH

Rudolf-Diesel-Strasse 2
78239 Rielasingen-Worblingen
Germany
+49 7731 909 71 90
info@derungsmedical.com

France

Waldmann Eclairage S.A.S.
Zone Industrielle
Rue de l'Embranchement
67116 Reichstett
France
Tel. +33 3 88 20 95 88
www.waldmann.com
info-fr@waldmann.com

Italy

Waldmann Illuminotecnica S.r.l.
Via della Pace, 18 A
20098 San Giuliano Milanese (MI)
Italy
Tel. +39 02 98 24 90 24
Fax +39 02 98 24 63 78
www.waldmann.com
info-it@waldmann.com

The Netherlands

Waldmann B.V.
Lingewei 19
4004 LK Tiel
The Netherlands
Tel. +31 344 631019
Fax +31 344 627856
www.waldmann.com
info-nl@waldmann.com

Austria

Waldmann Lichttechnik Ges.m.b.H.
Gewerbepark Wagram 7
4061 Pasching/Linz
Austria
Tel. +43 7229 67400
Fax +43 7229 67444
www.waldmann.com
info-at@waldmann.com

Sweden

Waldmann Ljusteknik AB
Botvid Business Center
Fågelviksvägen 9
SE-145 53 Norsborg
Sweden
Tel. +46 8 990 350
Fax +46 8 991 609
www.waldmann.com
info-se@waldmann.com

Switzerland

Waldmann Lichttechnik GmbH
Benkenstrasse 57
5024 Küttigen
Switzerland
Tel. +41 62 839 1212
Fax +41 62 839 1299
www.waldmann.com
info-ch@waldmann.com

USA

Waldmann Lighting Company
9 W. Century Drive
Wheeling, Illinois 60090
USA
Tel. +1 847 520 1060
Fax +1 847 520 1730
www.waldmannlighting.com
waldmann@waldmannlighting.com

China

Waldmann Lighting (Shanghai) Co., Ltd.
Part A11a, No. Five Normative Workshop
199 Changjian Road, Baoshan
SHANGHAI, P.R.C. 200949
China
Tel. +86 21 5169 1799
Fax +86 21 3385 0032
www.waldmann.com.cn
info-cn@waldmann.com

Register products

Enroll your Derungs medical luminaires and benefit from: 1 year additional warranty. Update of information on the Derungs products according to MDR.

www.derungs.swiss/product-registration

www.derungs.swiss

